



FIFTH WHEEL SECTION - SELECTION

5th Wheel Top Plates and Parts: We stock the top brands in the industry!



SAF-HOLLAND fifth wheels embody a history of evolutionary designs that expand fifth wheel function and value. These innovative advancements guarantee performance and offer proven value for your application.



FONTAINE has pioneered a lot of change in the industry, but one thing remains the same: Fontaine delivers the best value at the lowest total cost.

JOST

JOST has been manufacturing fifth wheel coupling devices globally since 1956. We believe that the market acceptance to our fifth wheel product is the result of advanced technologies particularly as it relates to safety of the locking mechanism and also to lifetime cost of ownership.

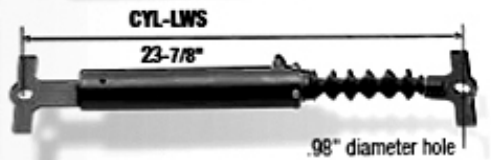
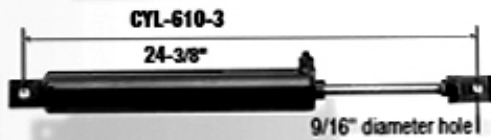
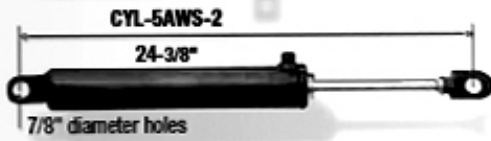
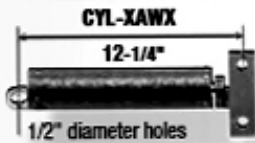




FONTAINE 5TH WHEEL PARTS

The Most Common repair parts by model type

Air cylinders for air slide brackets



Air cylinders for air actuated top plates



TPL7000 and TPL6000 fifth wheel kits

Description	Part No.
Rebuild kit road side release.....	KIT-RPR-6000L
Rebuild kit curb side release.....	KIT-RPR-6000R
Wedge-stop rod.....	KIT-ROD-1108
Bracket pin (one-piece bushing)	KIT-PIN-191
Bracket pin (two-piece bushing).....	KIT-PIN-LLB
Secondary lock.....	KIT-LAT-6000L or R
Spring kit.....	KIT-SPRING
Bumper kit.....	KIT-BPR-6000L or R
Timer.....	KIT-TMR-6000L or R
Operating handle.....	KIT-OPR-6000
Pull handle.....	KIT-PUL-6000L or R
Air actuated.....	KIT-AA-6000L or R

TPLH5092 and TPLX5092 fifth wheel kits

Description	Part No.
Rebuild kit road side release.....	KIT-RPR-5092L
Rebuild kit curb side release.....	KIT-RPR-5092R
Wedge-stop rod.....	KIT-ROD-1108
Bracket pin.....	KIT-PIN-191
Bracket pin (Xtra® heavy duty).....	KIT-PIN-XHD
Pull handle.....	KIT-PUL-5092
Timer.....	KIT-TMR-134L or R
Bumper kit.....	KIT-BPR-5092L or R
Bumper kit (Xtra® heavy duty).....	KIT-BPR-131L or R
Operating handle.....	OPR-5000-SL or SR

TPL7000CC fifth wheel kits

Description	Part No.
Rebuild kit road side release.....	KIT-RPR-6000L
Wedge-stop rod.....	KIT-ROD-1108
Bracket pin (one-piece bushing).....	KIT-PIN-191
Bracket pin (two piece bushing).....	KIT-PIN-LLB
Secondary lock.....	KIT-LAT-6000L
Spring kit.....	KIT-SPRING
Bumper kit.....	KIT-BPR-6000L
Timer.....	KIT-TMR-6000L
Operating handle.....	KIT-OPR-6000
Pull handle.....	KIT-PUL-6000L
Air actuated.....	KIT-AA-6000L
Clean Connect plates.....	CC-Plates

How Fontaine puts a part number together to order a 5th wheel:

1. Top plate

SL Release
 SL = Side Left
 SR = Side Right
 AA = Air Actuated
 BL = Blocked Left

7 Top plate model
 7 = 7000 No-Slack*
 C = 7000CC No-Slack* (left release only)
 H = 5092 No-Slack*
 X = X5092 No-Slack*
 3 = 3000 (ASB, APB, SMB brackets only)

Note: 6000 series top plate discontinued to the aftermarket

2. Mounting bracket

ATB Mounting bracket model
 ATB = Air slide bracket
 MTB = Manual slide bracket
 PMA = Plate mount adjustable
 PSA = Short plate mount
 FMA = Frame mount
 BSM = Bracket stationary mount
 AWX = Xtra® heavy duty air wedge slide
 ASB = Air slide bracket (3000)
 APB = Adjustable plate mount (3000)
 SMB = Stationary frame mount (3000)

6750 Mounting height
 Actual height from truck frame to top of fifth wheel.
 Examples: 7125 = 7-1/8"
 7250 = 7-1/4"
 8375 = 8-3/8"
 9750 = 9-3/4"

3. Slide rail

12 Slide travel
 For sliding fifth wheels only.
 Example: 12 = 12" slide
 24 = 24" slide
 36 = 36" slide
 48 = 48" slide



FONTAINE 5TH WHEEL PARTS

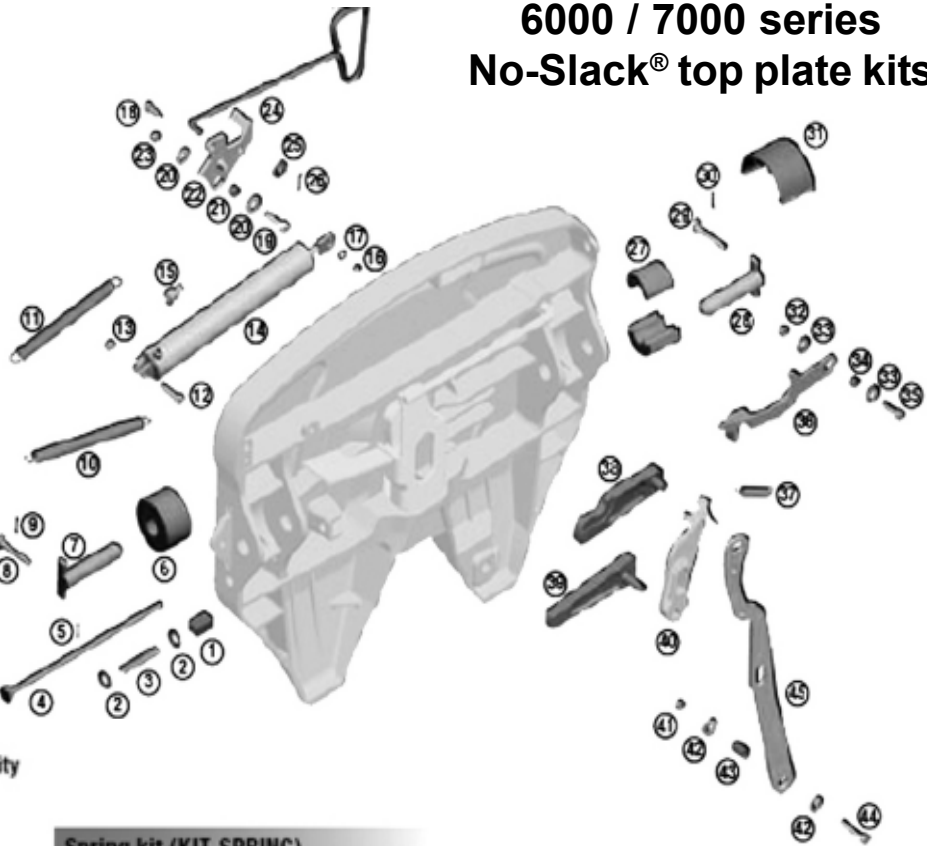


Part No. SLTPL7000L
 Cast top plate, left hand pull, No-Slack series.
 Replaces TPL-6000L
 Replaces TPL-5092L

Part No. BSH-150
 Bracket Bushing (1 pr.)
 for various brackets.

Part No. SPR-128
 Bumper Spring (#10)

Part No. SPR-338
 Handle Spring (#11)



6000 / 7000 series
No-Slack® top plate kits

Rebuild kit (KIT-RPR-6000L or R)		
Item	Description	Quantity
10	Bumper spring	1
11	Handle spring	1
27	Timer spring	1
28	Step jaw	1
29	Wedge	1
22	Bushing, 7/16"	1
23	Bushing, 5/16"	1
43	Bushing, 1 1/4"	1
23, 24, 41	Hex lock nut, 1/2" - 13	3

Wedge-stop rod kit (KIT-ROD-1108)		
Item	Description	Quantity
1	Wedge-stop rod nut	1
2	Flat washer, 5/8" I.D.	2
3	Wedge-stop rod spring	1
4	Wedge-stop rod	1
5	Cotter pin, 3/16" x 1"	1

Bracket pin kit (KIT-PIN-191)		
Item	Description	Quantity
6	1-piece bushing	2
7	Bracket pin	2
8	Bracket retainer pin	2
9	Cotter pin	2

Bracket pin kit (KIT-PIN-LLB)		
Item	Description	Quantity
21	2-piece bushing	2 Pairs
22	Bracket pin	2
23	Bracket retainer pin	2
24	Cotter pin	2
25	Bracket liner	2

Secondary lock kit (KIT-LAT-6000L or R)		
Item	Description	Quantity
11	Handle spring	1
13	Hex head bolt, 1/2" - 13	1
20	Flat washer, 1/2" I.D.	2
21	Bushing, 7/16"	1
22	Secondary lock	1
23	Hex lock nut, 1/2" - 13	1
24	Cotter pin, 3/16" x 1"	1

Spring kit (KIT-SPRING)		
Item	Description	Quantity
10	Bumper spring	1
11	Handle spring	1
27	Timer spring	1

Bumper kit (KIT-BPR-6000L or R)		
Item	Description	Quantity
23	Hex lock nut, 1/2" - 13	1
24	Flat washer, 1/2" I.D.	2
25	Bushing	1
26	Hex head bolt, 1/2" - 13	1
28	Bumper	1
10	Bumper spring	1

Timer kit (KIT-TMR-6000L or R)		
Item	Description	Quantity
27	Timer spring	1
28	Timer	1
41	Hex lock nut, 1/2" - 13	1
	Hair pin cotter (not pictured)	1

Operating handle kit (KIT-OPR-6000)		
Item	Description	Quantity
21	Bushing, 7/16"	1
24	Bushing, 5/16"	1
43	Bushing, 1 1/4"	1
23, 24, 41	Hex lock nut, 1/2" - 13	3
42	Flat washer, 1/2" I.D.	2
44	Hex head bolt, 1/2" - 13	1
45	Operating handle	1
	Hair pin cotter (not pictured)	1

Pull handle kit (KIT-PUL-6000L or R)		
Item	Description	Quantity
29	Pull handle	1
20	Flat washer, 1/2" I.D.	1
24	Cotter pin, 3/16" x 1"	1

Top plate rebuild kits

No-Slack rebuild kits for
 6000/7000/7000CC top plates
 KIT-RPR-6000L (left release)
 KIT-RPR-6000R (right release)

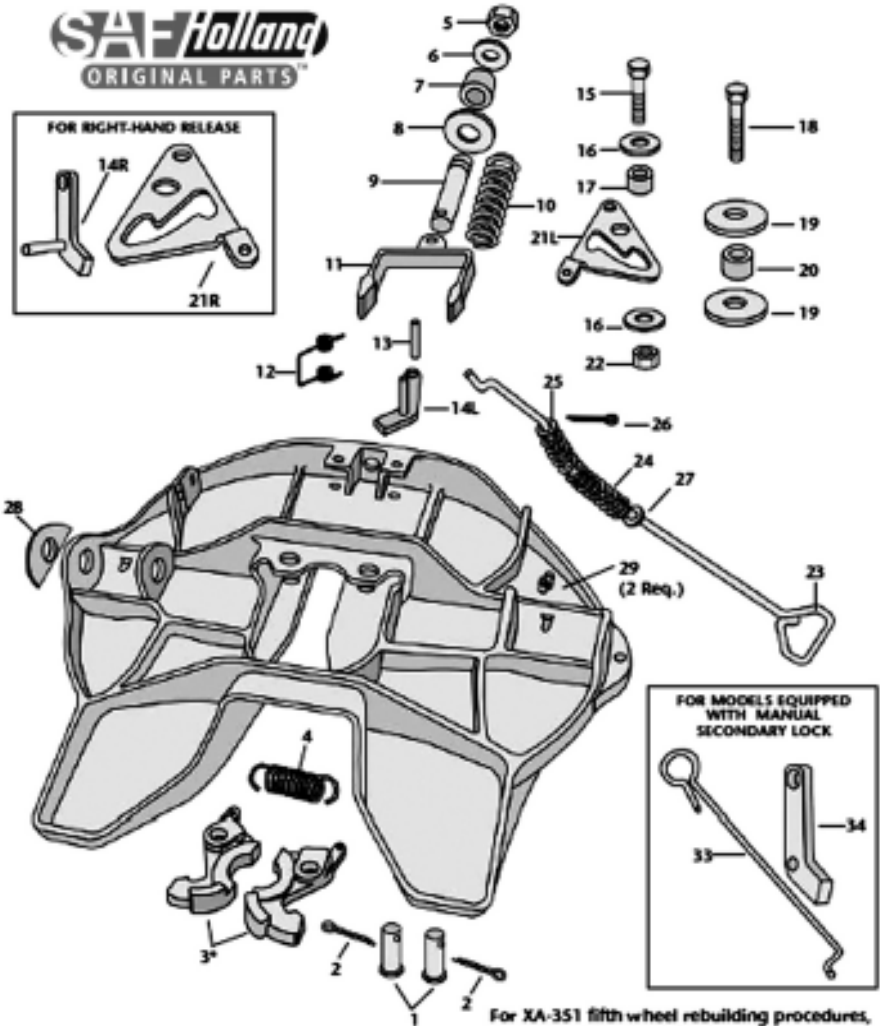
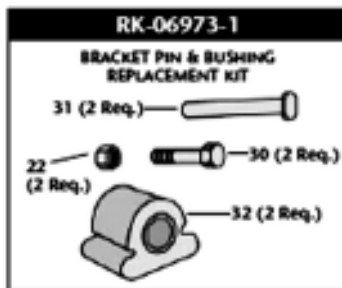
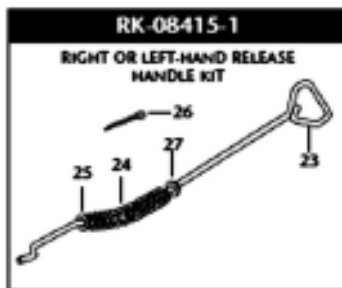


No-Slack rebuild kits for
 5092/H5092/X5092 top plates
 KIT-RPR-5092R (right release)
 KIT-RPR-5092L (left release)



**SAF-HOLLAND FIFTH WHEEL PARTS - FW35 (XA-351 PARTS)****FW35 SERIES PARTS LIST**

XA-351 Rebuild Kit Top Plate Part No. XA-351-A-L-P (Left Hand)
RK-351-A: Right-hand Release **RK-351-A-L: Left-hand Release**



For XA-351 fifth wheel rebuilding procedures, see Holland publication XL-FW290

XA-351 SERIES PARTS LIST

#	Part No.	Qty.	Description
1	XA-07292-T	2	Lock Pin
2	XB-5	2	Cotter Pin (1/4" x 2")
3	XA-07296*	1	Lock Jaw Set
4	XB-07628	1	Extension Spring
5	XB-HNH-34-F	1	Locknut (3/4"-16)
6	XB-PW-1316-112	1	Washer (11/2" O.D. x 13/16" I.D.)
7	XB-1127	1	Rubber Washer
8	XB-02312	1	Lock Adjustment Tag
9	XA-1706	1	Yoke Shaft
10	XB-1505	1	Compression Spring
11	XA-07295	1	Yoke
12	XB-2149	1	Torsion Spring
13	XB-21-S-500-2750	1	Roll Pin (1/2" x 23/4")
14L	XA-3542-L	1	Secondary Lock (left-hand)
14R	XA-3542-R	1	Secondary Lock (right-hand)
15	XB-2083	1	Hex Head Cap Screw (1/2"-20 x 1-3/4")
16	XB-08559	2	Washer (13/4" O.D. x 9/16" I.D.)
17	XA-1029	1	Roller (1/2" I.D.)

* Not available individually; order RK-351-07296

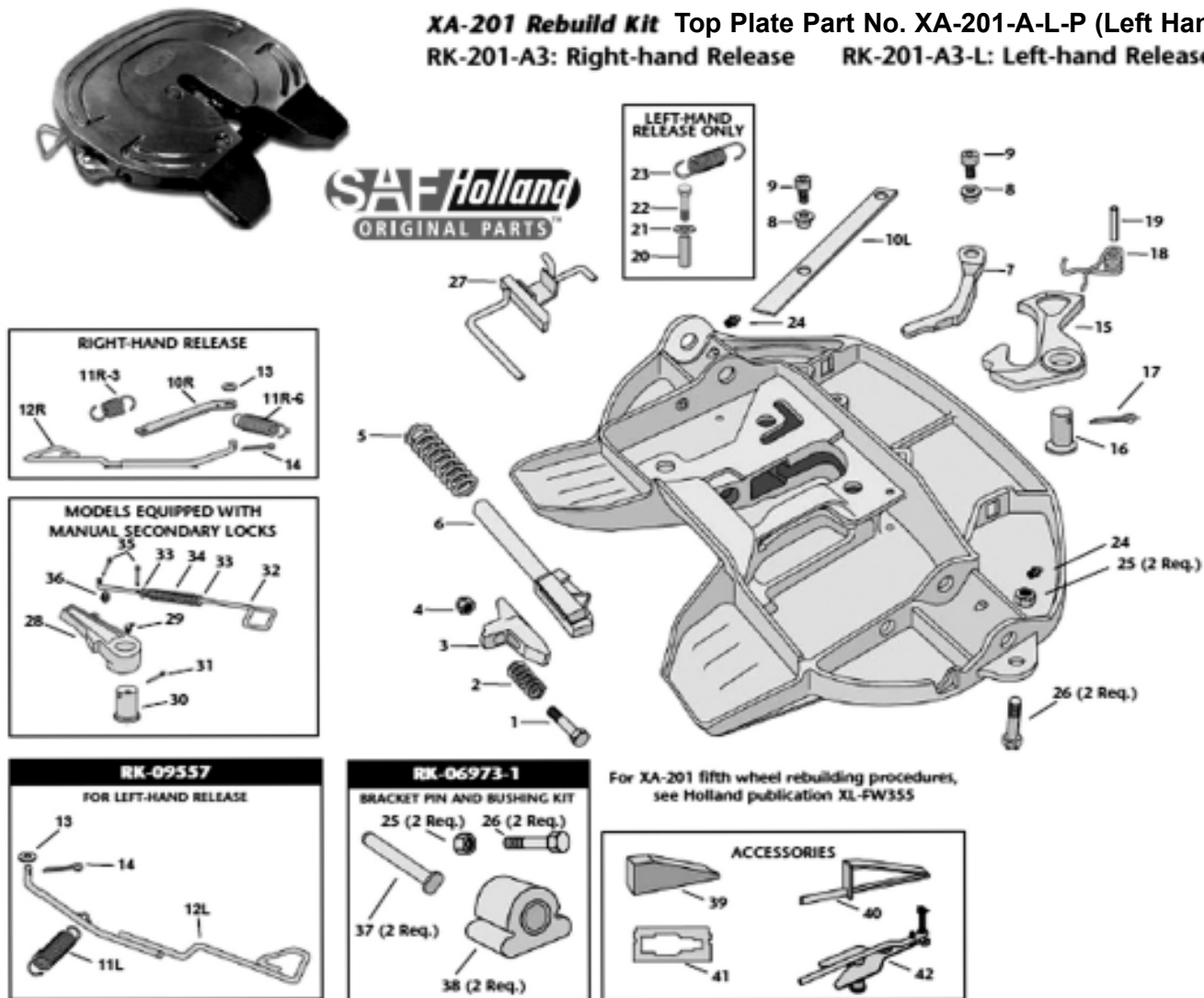
XA-351 SERIES PARTS LIST

#	Part No.	Qty.	Description
18	XB-CX-58-F-134	1	Hex Hd Cap Screw (5/8"-18 x 1-3/4")
19	XB-07431	2	Washer (2-5/8" x 21/32")
20	XA-1507	1	Roller (5/8" I.D.)
21L	XA-07150-L	1	Cam Plate (left-hand)
21R	XA-07150-R	1	Cam Plate (right-hand)
22	XB-T-69-A	1	Locknut (1/2"-20)
23	XA-07151-1	1	Release Handle (universal for both left and right)
24	XB-07291	1	Compression Spring
25	XB-PW-1732-1-116	1	Washer (11/16" O.D. x 1/2" I.D.)
26	XB-07508	1	Cotter Pin (1/8" x 1-1/4")
27	XB-T-49	1	Washer (1-3/8" O.D. x 9/16" I.D.)
28	XB-07610	1	Operation Tag
29	XB-H-38	2	Grease Zerk
30	XB-C-95	2	Hex Hd Cap Screw (1/2"-20 x 1-1/4")
31	XE-06356	2	Bracket Pin
32	XB-0011-2	2	Rubber Bushing
33	XA-3542-M	1	Manual Second. Lock Release Hdl
34	XA-3528	1	Manual Secondary Loc



SAF-HOLLAND FIFTH WHEEL PARTS - FW8 (XA-201) PARTS

XA-201 Rebuild Kit Top Plate Part No. XA-201-A-L-P (Left Hand)
RK-201-A3: Right-hand Release RK-201-A3-L: Left-hand Release



XA-201 PARTS LIST

#	Part No.	Qty.	Description
1	XB-06329-1	1	Hex Head Cap Screw 5/8"-11 x 4-1/4"
2	XB-09495	1	Spring
3	XD-06328	1	Adjusting Wedge
4	XB-06179-2	1	Locknut 5/8"-11
5	XB-06330	1	Plunger Spring
6	XA-09417-1	1	Locking Plunger
7	XE-09415	1	Cam Arm
8	XA-08162	2	Roller
9	XB-08558	2	SHCS 1/2"-13 x 3/4"
10R	XA-09580	1	Right-Hand Release Arm
10L	XA-09514	1	Left-Hand Release Arm
11R-3	XB-09629	1	Extension Spring
11R-6	XB-09581	1	Extension Spring
11L	XB-09408**	1	Extension Spring
12R	XA-09632	1	Right-Hand Release Handle
12L	XA-09484***	1	Left-Hand Release Handle
13	XB-T-199	1	5/8" Washer
14	XB-06336	1	Cotter Pin .19" x 1-1/4"
15	XA-09416*	1	Hinged Lock
16	XA-06344	1	Lock Pin
17	XB-5	1	Cotter Pin 1/4" x 2"
18	XB-08764	1	Lock Return Spring
19	XB-21-S-500-2750	(1)	Roll Pin

* Not available individually; order RK-201-A3-L or RK-201-A3

** Not available individually; order RK-09557; ***order RK-09556

XA-201 PARTS LIST

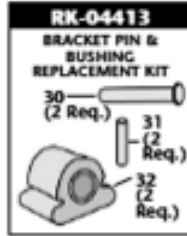
#	Part No.	Qty.	Description
20	XA-09558	1	Spacer
21	XB-1108	1	Washer
22	XB-C-38-C-214	1	HHCS, 3/8" x 2-1/4"
23	XB-09517-1	1	Extension Spring
24	XB-H-38	2	Grease Fitting
25	XB-T-69-A	2	Locknut, 1/2"-20
26	XB-C-95	2	Hex Head Cap Screw 1/2"-20 x 1-1/4"
27	XA-09590	1	Wedge Stop Block
28	XA-06349	1	Manual Secondary Lock Arm
29	XB-767-C	1	Grease Fitting
30	XA-1016-C	1	Secondary Lock Pin
31	XB-5	1	Cotter Pin 1/4" x 2" (Same as #17)
32	XA-06345	1	Secondary Lock Release Handle
33	XB-1204	2	7/16" Washer
34	XB-1028-1	1	Spring
35	XB-06337	2	Cotter Pin 1/8" x 1"
36	XB-PWC-38-78	1	Washer, 3/8" Clipped
37	XE-06356	2	Bracket Pin
38	XB-0011-2	2	Rubber Bushing
39	TF-TLN-08284	1	Helper Block (Wood)
40	TF-TLN-4000	1	Helper Block (Steel)
41	TF-TLN-0110	1	Kingpin Gage
42	TF-TLN-5001	1	2" Lock Adjustment Tool



SAF-HOLLAND FIFTH WHEEL PARTS - FW3500 (XA-3501) PARTS



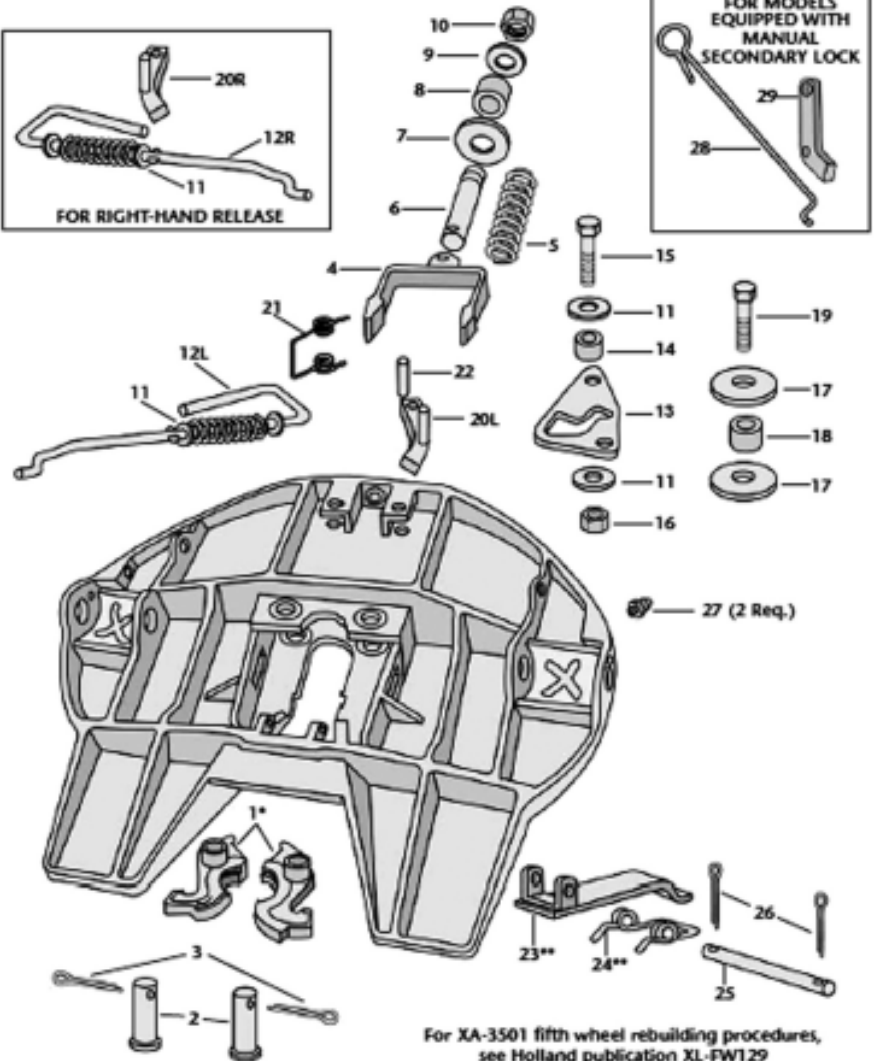
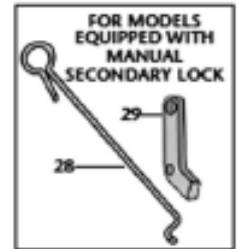
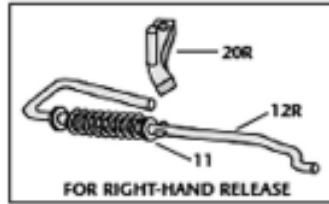
SAF-HOLLAND
ORIGINAL PARTS



XA-3501 Rebuild Kit

RK-63500: Right-hand Release

RK-63501: Left-hand Release



For XA-3501 fifth wheel rebuilding procedures, see Holland publication XL-FW129

XA-3501 SERIES PARTS LIST

#	Part No.	Qty.	Description
1	XA-1704*	1	Lock Jaws
2	XA-1313	2	Lock Pin
3	XB-5	2	Cotter Pin 1/4" x 2"
4	XA-1703-F	1	Yoke Sub-Assembly
5	XB-1505	1	Spring
6	XA-1706	1	Yoke Shaft
7	XB-02312	1	Lock Adjustment Tag
8	XB-1127	1	Rubber Washer
9	XB-PW-1316-112	1	Washer 1-1/2" OD x 13/16" ID
10	XB-HNH-34-F	1	Locknut 3/4"-16
11	XB-T-49	3	Washer 1-3/4" OD x 9/16" ID
12L	RK-1707-M	1	Left-Hand Release Handle S/A (Part No. (11) must be installed on handle for complete assembly.)
12R	RK-1707-6	1	Right-Hand Release Handle S/A (Part No. (11) must be installed on handle for complete assembly.)
13	XA-1705	1	Cam Plate
14	XA-1029	1	Roller

* Not available individually; order RK-63503

** Not available individually; order RK-05329

XA-3501 SERIES PARTS LIST

#	Part No.	Qty.	Description
15	XB-2083	1	Bolt 1/2"-20 x 1-3/4"
16	XB-T-69-A	1	Locknut 1/2"-20
17	XB-1030-1	2	Washer
18	XA-1507	1	Roller
19	XB-CX-58-F-134	1	Bolt 5/8"-18 x 1-3/4"
20L	XA-3542-L	1	Secondary Lock, Left-Hand
20R	XA-3542-R	1	Secondary Lock, Right-Hand
21	XB-2149	1	Torsion Spring
22	XB-21-S-500-2750	1	Roll Pin
23	XA-3514**	1	Lock Guard
24	XB-1044**	1	Torsion Spring
25	XA-1055	1	Pin
26	XB-16	2	Cotter Pin 1/8" x 1"
27	XB-H-38	2	Grease Fitting
28	XA-3542-M	1	Manual Secondary Lock Handle
29	XA-3528	1	Manual Secondary Lock
30	XA-2016	2	Bracket Pin
31	XB-21-S-375-1750	2	Roll Pin
32	XB-0011-2	2	Rubber Bushing



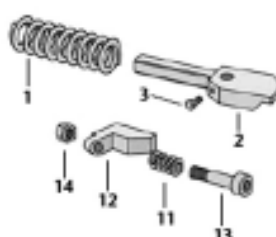
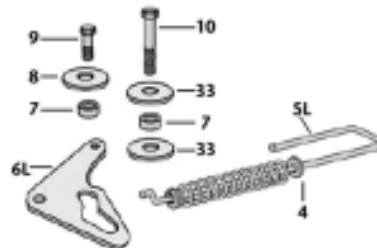
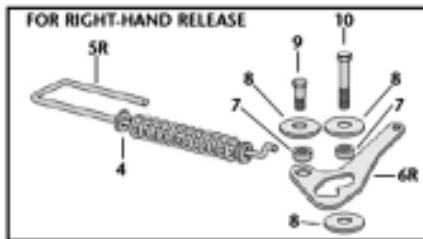
SAF-HOLLAND FIFTH WHEEL PARTS - FW2000 PARTS



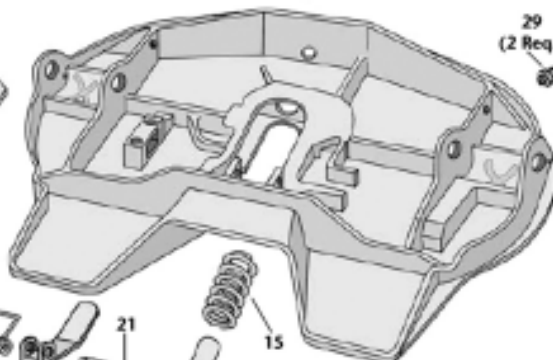
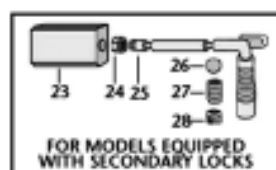
XA-2009 Rebuild Kit

RK-62000: Right-hand Release

RK-62001: Left-hand Release



SAF-HOLLAND
ORIGINAL PARTS™



For XA-2009 fifth wheel rebuilding procedures, see Holland publication XL-FW134

For XA-2009 fifth wheel rebuilding procedures, see Holland publication XL-FW134

XA-2009 PARTS LIST

#	Part No.	Qty.	Description
1	XB-1007 (Red)	1	Compression Spring 1-5/8" O.D. x 5"
2	XA-1119	1	Plunger
3	XB-15	1	Set Screw 3/8"-16 x 3/4"
4	XB-T-49	1	Plain Washer 1/2"
5L	RK-1117-1-L	1	Left-Hand Release Handle (Item No. (4) must be installed on handle to complete assembly)
5R	RK-1117-1	1	Right-Hand Release Handle (Item No. (4) must be installed on handle to complete assembly)
6L	XA-1118-2-L	1	Left-Hand Cam Plate
6R	XA-1118-1	1	Right-Hand Cam Plate
7	XA-1029	2	Roller
8	XB-1030	3	Washer (rh only) 1/2" I.D. x 2-1/4" O.D.
9	XB-2083	1	Hx Hd Screw 1/2"-20 x 1-3/4" with Lkng Ptch
10	XB-1031	1	1/2"-20 x 2" Hex Head Cap Screw
11	XB-403	1	Spring
12	XD-3123-1	1	Lock Adjusting Wedge
13	XB-2001	1	5/8"-11 x 3-3/4" Socket Head Screw
14	XB-HNH-58-C	1	5/8"-11 Locknut

* Not available individually; order RK-62004

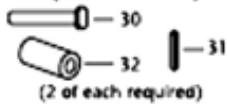
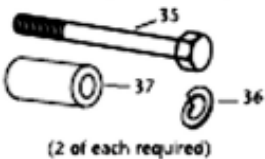
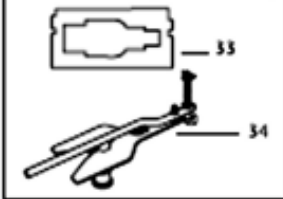
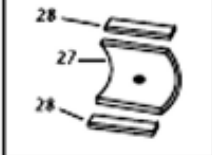
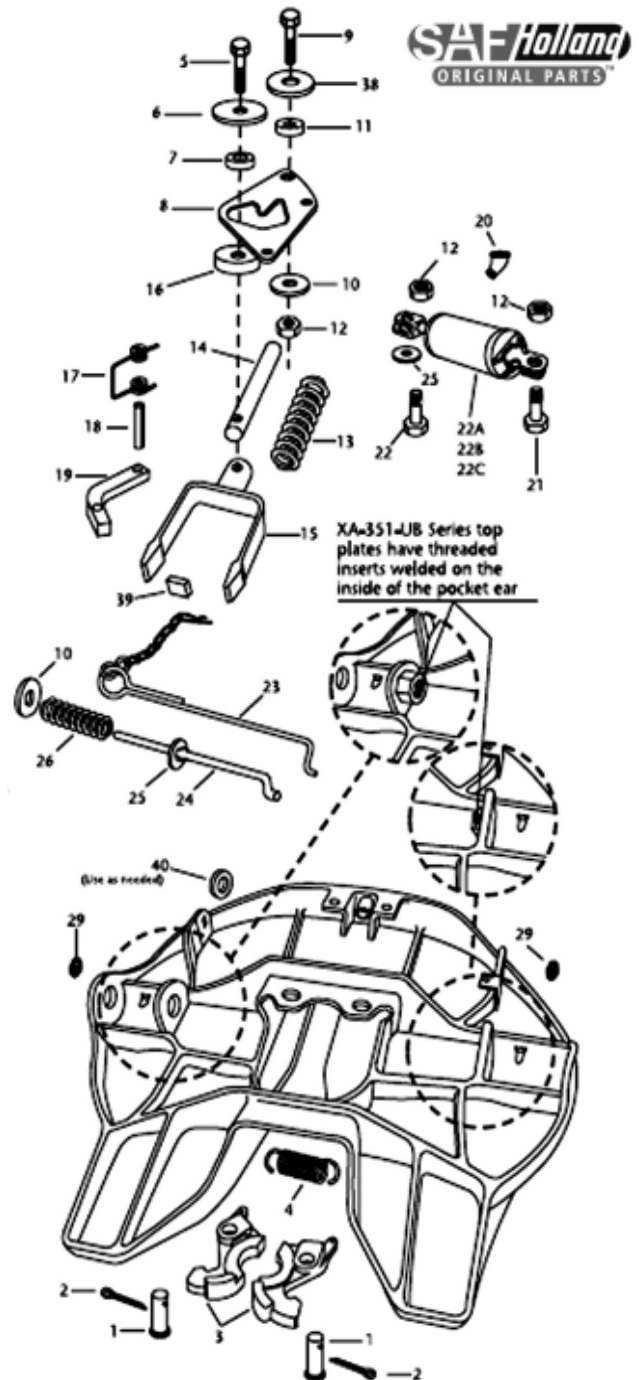
** Not available individually; order RK-05328

XA-2009 PARTS LIST

#	Part No.	Qty.	Description
15	XB-1006 (Green)	1	Compression Spring 1-1/4" O.D. x 5"
16A	XA-1102*	1	Lock Set (see below)
16B	XA-1102*	1	Lock Set (see below)
17	XA-1016	1	Hinged Lock Pin
18	XB-5	1	Cotter Pin 1/4" x 2"
19	XA-1621**	1	Lock Guard
20	XB-1044**	1	Torsion Spring
21	XA-1055	1	Pin
22	XB-16	2	Cotter Pin 1/8" x 1"
23	XA-1668	1	Safety Lock Block
24	XB-NRJ-34-F	1	Jam Nut
25	XA-1674	1	Safety Release Arm
26	XB-V-919	1	1/2" Diameter Steel Ball
27	XB-V-932	1	Compression Spring
28	XB-V-1025	1	Set Screw 5/8"-18
29	XB-H-38	2	Grease Fitting
30	XA-2016	2	Bracket Pin
31	XB-21-S-375-1750	2	Roll Pin
32	XB-0011-2	2	Rubber Bushing
33	XB-02846	2	Washer (lh only) 1/2" I.D. x 5/8" O.D.

**SAF-HOLLAND FIFTH WHEEL PARTS - XA-351-03505 PARTS****AIR CYLINDER TABLE**

Top Plate Assembly	Air Cylinder Parts
XA-351-03505	Items 20 and 22A
XA-351-03505-2	Items 20 and 22A
XA-351-03505-3	Item 22C, not 20
XA-351-03505-4	Items 20 and 22B
XA-351-UB	Items 20 and 22A

**Bracket Components
XA-351-03505 Series
ONLY (not included)
(RK-04413-1)**

**Bracket Components
XA-351-UB Series
ONLY (not included)**
**Accessories (not included)****XA-351-03505 Series ONLY****Top Plate Part No. XA-351-03505S****XA-351-03505 and XA-351-UB PARTS LIST**

#	Part No.	Qty.	Description
1•	XA-07292-T	2	LOCK PIN
2•	XB-5	2	COTTER PIN (1/4" X 2")
3•	XA-08332-1	1	LOCK JAW SET
4•	XB-07628	1	EXTENSION SPRING
5>	XB-10035	1	HEX HEAD CAP SCREW 5/8"-18X2"
6>	XB-07431	1	WASHER 5/8" I.D. X 2-5/8" O.D. X 3/4"
7>	XA-1507-1	1	ROLLER, 5/8" I.D.
8>	XA-08988	1	CAM PLATE
9	XB-2083	1	HEX HEAD CAP SCREW 1/2"-20X1-3/4"
10>	XB-08559	2	WASHER 1/2" I.D. X 1-3/4" O.D.
11	XA-1029	1	ROLLER 1/2" I.D.
12>	XB-T-69-A	3	LOCKNUT 1/2"-20 (2 add'l req. for brackets)
13	XB-1505	1	YOKE SPRING
14>	XA-1706-1	1	YOKE SHAFT
15	XA-07295	1	YOKE
16>	XA-09040	1	CAM SPACER
17	XB-2149	1	TORSION SPRING
18	XB-21-S-500-2750	1	ROLL PIN 1/2" X 2-3/4"
19	XA-3528	1	SECONDARY LOCK
20	XB-698	1	45° STREET ELBOW
21>	XB-T-89-5	2	HHCS 1/2"-20 X 1-3/4" LONG
22A*	XA-2524-R-13-1	1	AIR CYLINDER
22B*	XA-2524-R-13-2	1	AIR CYLINDER
22C*	XA-2524-R-13-3	1	AIR CYLINDER
23	XA-3546	1	SECONDARY LOCK HANDLE
24>	XA-09041	1	RELEASE HANDLE
25>	XB-PW-1732-1-116	2	WASHER 1/2" I.D. X 1" O.D.
26>	XB-07291	1	COMPRESSION SPRING
27**	XA-03423	2	BRACKET BEARING
28**	XA-0268	4	BEARING STOP BLOCK
29	XB-H-38	2	GREASE FITTING
30***	XA-2016	2	BRACKET PIN
31***	XB-21-S-375-1750	1	ROLL PIN 3/8" X 1-3/4"
32***	XB-0011-2	2	RUBBER BUSHING
33***	TF-0110	1	KINGPIN GAUGE
34***	TF-TLN-5001	1	KINPIN LOCK TESTER
35***	XB-BR-118-C-7	2	HHCS 1-1/8"-7X7"
36***	XB-E-536	2	WASHER, LOCK 1-1/8"
37***	XB-1604-5	2	RUBBER BUSHING
38>	XB-1030	1	WASHER 1/2" I.D. X 2-1/4" O.D.
39>	XA-09043	1	YOKE STOP
40>	XA-09039	1	HANDLE GUIDE
41>	XB-02967	1	NEVER-SEEZ (not shown)

All parts listed are included in RK-351-03505 and RK-351-UB, except items 39 and 40 as listed below:

• Parts included in RK-351-08332-1.

> Parts included in RK-09063.

* See Air Cylinder Table above for proper air cylinder components.

** Included in RK-351-03505 ONLY.

*** Not included in repair kits, except where noted.



SAF-HOLLAND FIFTH WHEEL KIT 'QUICK LIST'

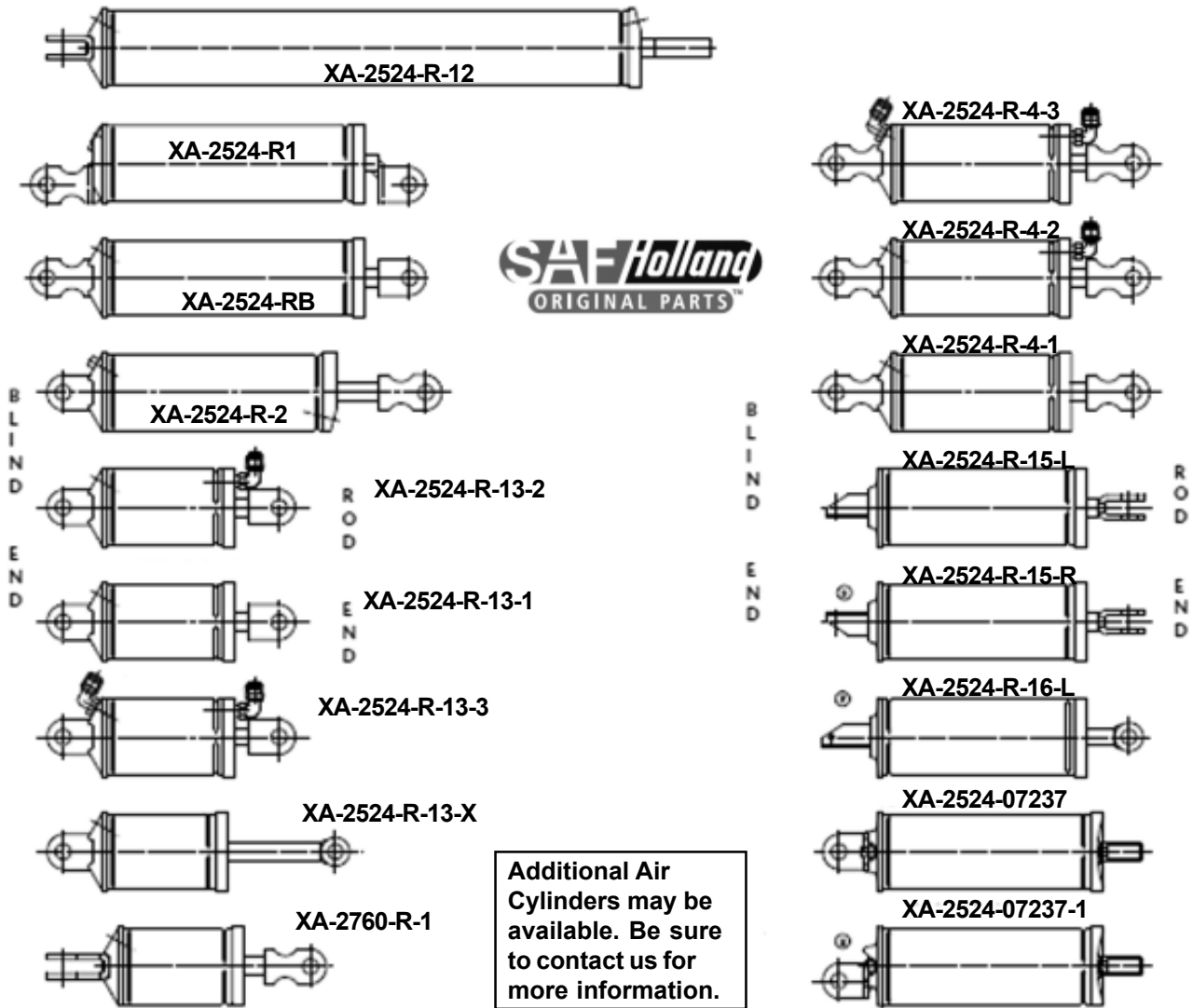
PRODUCT	TOP PLATE	REBUILD KIT	LOCK GUARD	LOCK KIT	HANDLE KIT	BUSHG/PIN KIT	AIR CYLINDER
FW3500 (Stationary)	XA-3501-A-LH (LH) XA-3501-A-RH (RH)	RK-63501 (LH) RK-63500 (RH)	RK-05329	RK-63503	RK-1707-M (LH) RK-1707-6 (RH)	RK-04413	-
FW2535 (Sliding)	XA-3501-A-LH (LH) XA-3501-A-RH (RH)	RK-63501 (LH) RK-63500 (RH)	RK-05329	RK-63503	RK-1707-M (LH) RK-1707-6 (RH)	RK-04413	XA-2524-R
FW2000 (Stationary)	XA-2009-A-LH (LH) XA-2009-A-RH (RH)	RK-62001 (LH) RK-62000 (RH)	RK-05328	RK-62004	RK-1117-1-L (LH) RK-1117-1 (RH)	RK-04413	-
FW2500 (Sliding)	XA-2009-A-LH (LH) XA-2009-A-RH (RH)	RK-62001 (LH) RK-62000 (RH)	RK-05328	RK-62004	RK-1117-1-L (LH) RK-1117-1 (RH)	RK-04413	XA-2524-R
FW2555 (Sliding)	XA-71-DAS	RK-65014	-	RK-65024	-	-	-
FW2570 (H D Sliding)	XA-71-DAS	RK-65014	-	RK-65024	-	-	-
FW35 (Stationary)	XA-351-A-L-P (LH) XA-351-A-P (RH)	RK-351-A-L (LH) RK-351-A (RH)	N/A	RK-351-07296	XA-07151-1	RK-06973-1	-
FW35 (Sliding)	XA-351-A-L-P (LH) XA-351-A-P (RH)	RK-351-A-L (LH) RK-351-A (RH)	N/A	RK-351-07296	XA-07151-1	RK-06973-1	XA-2524-R
FW35-89xx (No-tilt Stationary)	XA-351-A-06-L-P	RK-351-A-L	N/A	-	-	-	-
FW35-7401 (No-tilt Sliding)	XA-351-A-06-L-P	RK-351-A-L	N/A	-	XA-07151-1	RK-06973-1	XA-2524-R
FW35-8401 (No-tilt Sliding)	XA-351-A-06-L-P	RK-351-A-L	N/A	-	XA-07151-1	RK-06973-1	-
FW8 (Stationary)	XA-201-A-L-P (LH) XA-201-A-P (RH)	RK-201-A3-L (LH) RK-201-A3 (RH)	N/A	N/A	N/A	RK-06973-1	-
FW8 (Sliding)	XA-201-A-L-P (LH) XA-201-A-P (RH)	RK-201-A3-L (LH) RK-201-A3 (RH)	N/A	N/A	N/A	RK-06973-1	XA-2524-R
FW17 (Stationary)	XA-17-A-L-P	RK-17-A-L	N/A	RK-17-A-L-P	RK-171-11079	-	-
FW17 (Sliding)	XA-17-A-L-P	RK-17-A-L	N/A	RK-17-A-L-P	RK-171-11079	-	XA-2524-R
FW6700-16B (Air Elevating)	XA-3501-UB	RK-63502	N/A	RK-63504	-	-	-
FW67-16B (Air Elevating)	XA-351-UB-P	RK-351-UB	N/A	-	-	-	-
FW35-03344 (Yard Spotter)	XA-351-03505S	RK-351-03505	N/A	N/A	-	-	XA-2524-R-13-1
FW35-03344-1 (Yard Spotter)	XA-351-03505S	RK-351-03505	N/A	N/A	-	-	XA-2524-R-13-1
FW2870-03184 (Yard Spotter)	XA-2801-03185-1		N/A	RK-03185-1	-	-	XA-2524-R-4-1
FW1560 (Side Oscillating)	XA-1501-CA1S	RK-65005	N/A				
FW0100-D (Heavy Duty (2" KP*))	XA-101-DAS	RK-65012	N/A	RK-65024	N/A		
FW0100-0 (Heavy Duty (3.5" KP*))	XA-101-OAS	RK-65013	N/A	RK-65024-1	N/A		
FW0070 (Heavy Duty (2" KP*))	XA-71-DAS	RK-65014	N/A	RK-65024	N/A		
FW0070 (Heavy Duty (3.5" KP*))	XA-71-OAS	RK-65015	N/A	RK-65024-1	N/A		
FW2800-X (Hydraulic Lift)	XA-2801-AX-1S	RK-65021	N/A	N/A			
FW2900-X (Hydraulic Lift)	XA-2801-AX-1S	RK-65021	N/A	N/A			
FW1580		XA-1581-A-1	RK-65006	-	-	-	-
FW2870-03184 (LH) Left Hand Release. - (RH) Right Hand Release - KP* Kingpin		XA-2801-03185-1S	RK-03185-1	-	-	-	XA-2524-R-4-1



The above chart does not represent all models or all available kits. Please refer to the detailed parts information pages.



SAF-HOLLAND FIFTH WHEEL AIR CYLINDERS

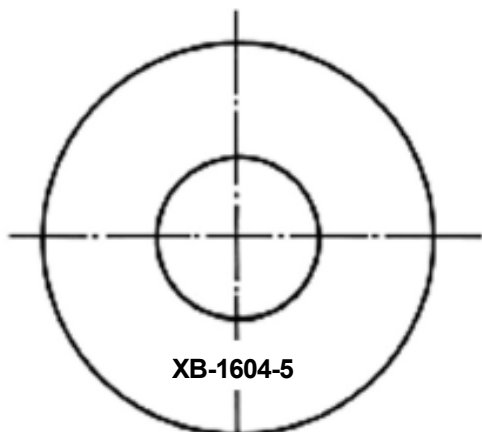


PART NUMBER	HOLE-TO-HOLE DIMENSION		STROKE REF	AIR INLET	USED ON
	EXTENDED -	RETRACTED			
XA-2524-R-13-2	9.649" / 9.464"	7.613" / 7.473"	2.02"	Blind End	FW1500, FW3500, (1 fitting)
XA-2524-R-13-3	9.649" / 9.464"	7.613" / 7.473"	2.02"	Blind End	FW1500, FW3500, (2 fitting)
XA-2524-R-12	38.742" / 38.556"	22.680" / 22.496"	16.06"	Both Ends	TF-675
XA-2524-RB	19.650" / 19.171"	12.750" / 12.506"	6.77"	Blind End	Sliding 5th Wheels
XA-2524-R-2	18.560" / 18.171"	12.750" / 12.506"	5.74"	Rod End	FW0070, FW0100, & FW2080
XA-2524-R-4-3	14.108" / 13.863"	10.452" / 10.252"	3.64"	Blind End	XA-2801-03185-4
XA-2524-R-4-2	14.108" / 13.863"	10.452" / 10.252"	3.64"	Blind End	XA-2801-03185-3
XA-2524-R-4-1	14.108" / 13.863"	10.452" / 10.252"	3.64"	Blind End	FW1560 Series
XA-2524-R-13-X	11.690" / 11.280"	9.570" / 9.385"	1.99"	Blind End	FW2800 Series, FW2900
XA-2760-R-1	10.840" / 10.361"	8.720" / 8.476"	1.99"	Blind End	FW1580
XA-2524-R-13-1	9.649" / 9.464"	7.613" / 7.473"	2.02"	Blind End	FW1500, FW3500, (no fitting)
XA-2524-R-16-L	13.95" REF	9.05" REF	4.89"	Blind End	OPT. CODE 80
XA-2524-R-15-R	13.95" REF	9.05" REF	4.89"	Blind End	XA-3501-06533
XA-2524-R-15-L	13.95" REF	9.05" REF	4.89"	Blind End	XA-3501-06533
XA-2524-07237-1	15.782" / 15.598"	10.625" / 10.468"	5.13"	Both Ends	FW503 (Obsolete)
XA-2524-07237	15.782" / 15.598"	10.625" / 10.468"	5.13"	Both Ends	FW503 (Obsolete)
XA-2524-R1	19.650" / 19.171"	12.750" / 12.506"	6.77"	Blind End	Warranty



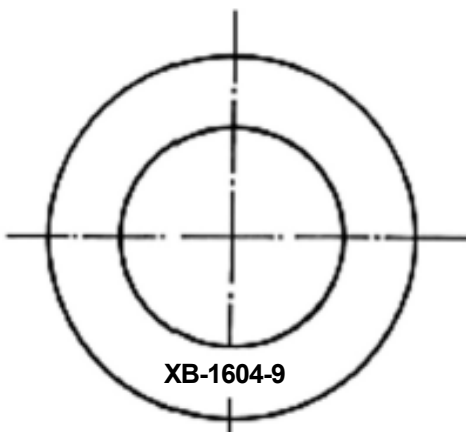
SAF-HOLLAND FIFTH WHEEL RUBBER UPSHOCK CUSHIONS

Illustrations shown not at actual size.



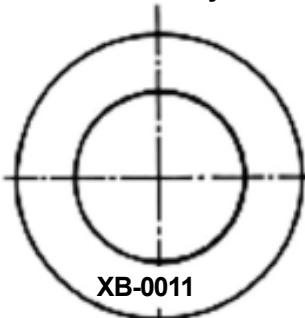
XB-1604-5

**FW2000 / FW3500 / FW3600
Old Style - Prior to May 1982**



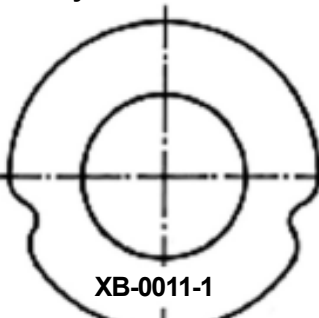
XB-1604-9

**FW0070
Old Style - Prior to May 1982**



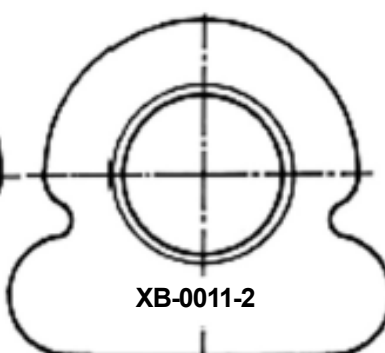
XB-0011

**FW2000 KOMPENSATOR /
FW3500 KOMPENSATOR /
FW3600 KOMPENSATOR
and FW3501-UB
CURRENT**



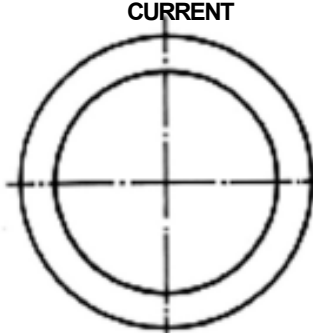
XB-0011-1

**FW2000
FW3500
FW3600
May 1982 - June 1987**



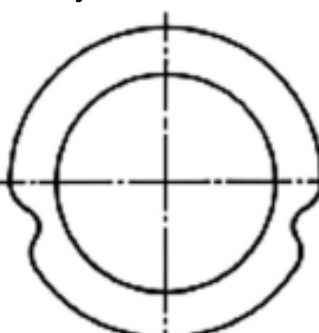
XB-0011-2

**FW2000 / FW3500 / FW3600
CURRENT**



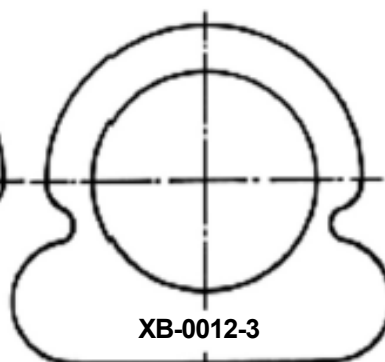
XB-1604-9

**FW0070
KOMPENSATOR
Prior to May 1982**



XB-0012-1

**FW0070
Mfg.
May 1982 -
Oct. 1987**



XB-0012-3

**FW0070
AVAILABLE
OCT. 1987 to
current**





SAF-HOLLAND FIFTH WHEEL SLIDE BRACKETS & PARTS

FW8, FW35, FW2500 & FW2535 SERIES SLIDE BRACKET PARTS

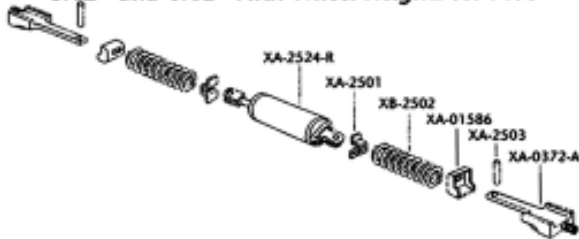
Manufactured **AFTER** May 1, 1982

Please contact us for information on brackets/parts prior to 1982, or consult SAF-Holland catalog information.



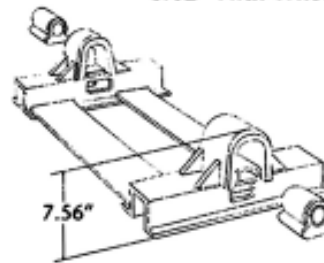
AIR RELEASE

8.62" and 7.62" Fifth Wheel Heights
8.12" and 6.62" Fifth Wheel Heights for FW8



AIR & MANUAL RELEASE

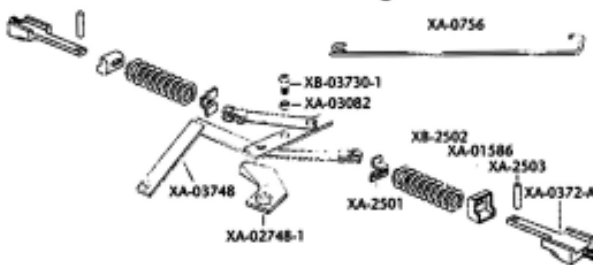
8.62" Fifth Wheel Heights



Brackets are available only as part of complete assemblies -
Part Numbers:
XA-7001 (air) or
XA-7011 (manual).
Rubber bushings are included.

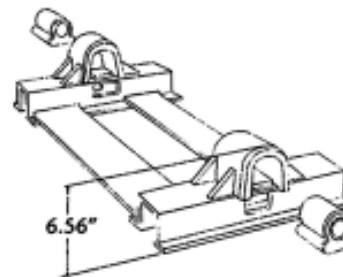
MANUAL RELEASE

All Fifth Wheel Heights



AIR & MANUAL RELEASE

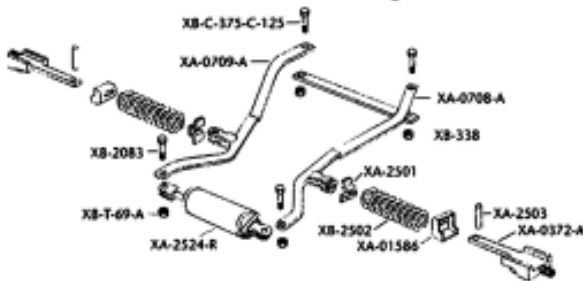
7.62" Fifth Wheel Heights



Brackets are available only as part of complete assemblies -
Part Numbers:
XA-7002 (air) or
XA-7012 (manual).
Rubber bushings are included.

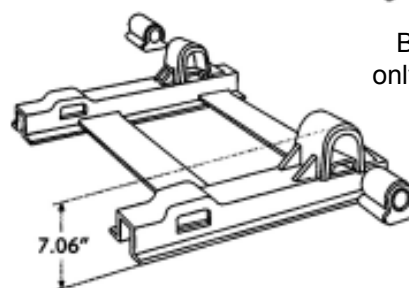
AIR RELEASE

8.12" and 6.62" Fifth Wheel Heights for FW35



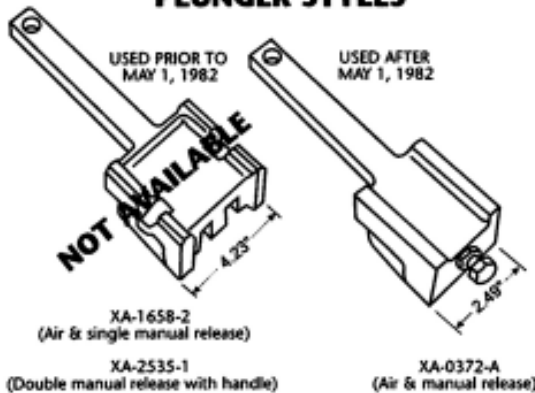
AIR & MANUAL RELEASE

8.12" Fifth Wheel Heights



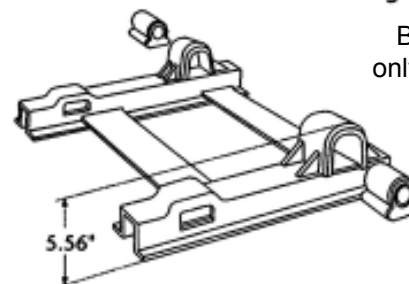
Brackets are available only as part of complete assemblies -
Part Numbers:
XA-7301 (air) or
XA-7311 (manual).
Rubber bushings are included.

PLUNGER STYLES



AIR & MANUAL RELEASE

6.62" Fifth Wheel Heights



Brackets are available only as part of complete assemblies -
Part Numbers:
XA-7003 (air) or
XA-7013 (manual).
Rubber bushings are included.



SAF-HOLLAND FIFTH WHEEL SLIDE BRACKETS & PARTS



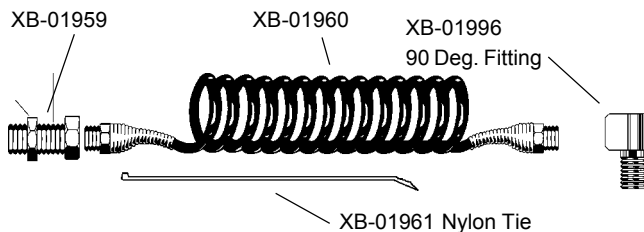
Cushion and Pin Rebuild Kit

This kit is also included in rebuild kits RK-63500-1, RK63501-1, RK62001 and RK62001-1.

Consists of: 2 XA-2016 Pins
2 XB-0011-2 Bushings
2 XB-21-S-375-1750 Roll Pins

Part No. RK-04413

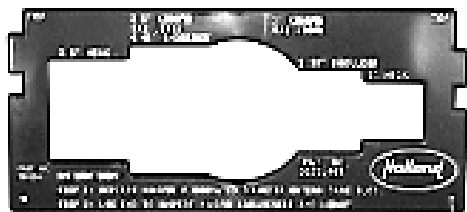
Bulkhead Fitting With Female .25" NPT Connectors



Sliding Fifth Wheel Air Line Kit

Ten foot coiled .25" OD nylon tube with wire guards and .25" NPT swivel fittings

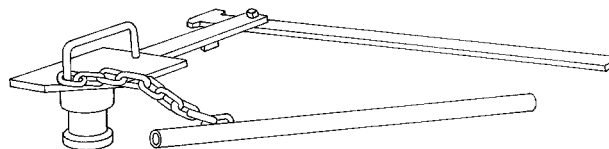
Part No. RK-2500-10



King Pin Gauge

Use to check condition of kingpin; indicates if pin should be replaced.

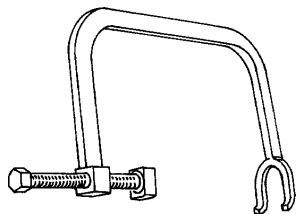
Part No. TF-0110



King pin Lock Tester Tool

The HOLLAND kingpin lock testers are designed for checking fifth wheel locking action and lock adjustment in the shop or on the lot.

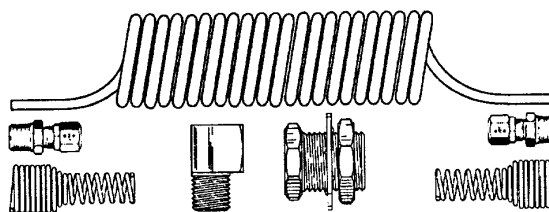
2" Tool: Part No. TF-TLN-5001



Slider Spring Compressor

Designed for springs and pins on Holland sliding fifth wheels. Slider bracket maintenance tool.

Part No. TF-TLN-2500



Coiled Air Line Kit for Fifth Wheels
Coiled nylon tubing with wire guards and fittings

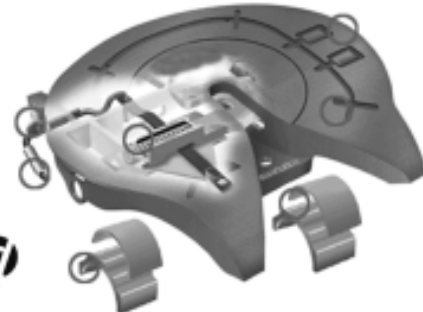
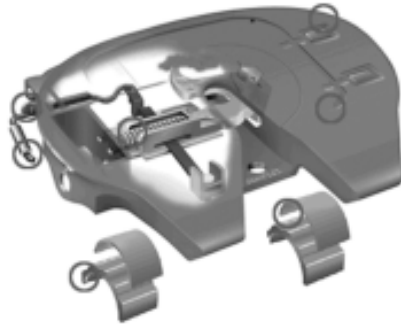
Part No. 1010067





HOLLAND-SIMPLEX FIFTH WHEEL TOP PLATES

SIMPLEX SERIES® TOP PLATES



Part No. 10402720
Holland Simplex SE Top Plate

Part No. 4102720
Holland Simplex II SE Top Plate

Specifications:

Vertical Load Capacity	55,000 lbs.
Trailing Load	150,000 lbs.
Top Plate Weight	220 lbs.

Operation:

Slack Adjustment	Up to 11/32" before jaw replacement.
Operating Rod	Minimal effort, straight pull design. Air-Operated Release Available with TouchLoc air-operated release system.

Safety Latch	Provides the driver with a clear visual indication that the wheel is properly coupled.
---------------------	--

Service Life	Exceeds life of tractor.
---------------------	--------------------------

Maintenance:

Service Required	No lubrication required at pivot connection. Routine: grease and visually check top plate, adjust slack as required.
-------------------------	---

Jaw Replacement	Fifteen minutes to rebuild, while the top plate remains on tractor.
------------------------	---

Handle Replacement	Five minutes to replace, while fifth wheel remains on tractor.
---------------------------	--

Disassembly	Pull one clinch pin to remove and replace eccentric adjustment pin and jaw.
--------------------	---

Warranty	5-years or 500,000 miles
-----------------	--------------------------

Specifications:

Vertical load capacity	70,000 lbs.
Trailing load	200,000 lbs.
Top plate weight	260 lbs.

Operation:

Slack adjustment	Up to 11/32" before jaw replacement.
-------------------------	--------------------------------------

Operating rod	Minimal effort, straight pull design. Air-operated release. Available with Touchloc air-operated release system.
----------------------	---

Safety latch	Visual indication of a positive coupling, also serves as a secondary lock.
---------------------	--

Service life	Exceeds life of tractor.
---------------------	--------------------------

Maintenance:

Service required	No lubrication required at pivot connection. Routine: grease and visually check top plate, adjust slack as required.
-------------------------	--

Jaw replacement	Fifteen minutes to replace; fifth wheel remains on tractor.
------------------------	---

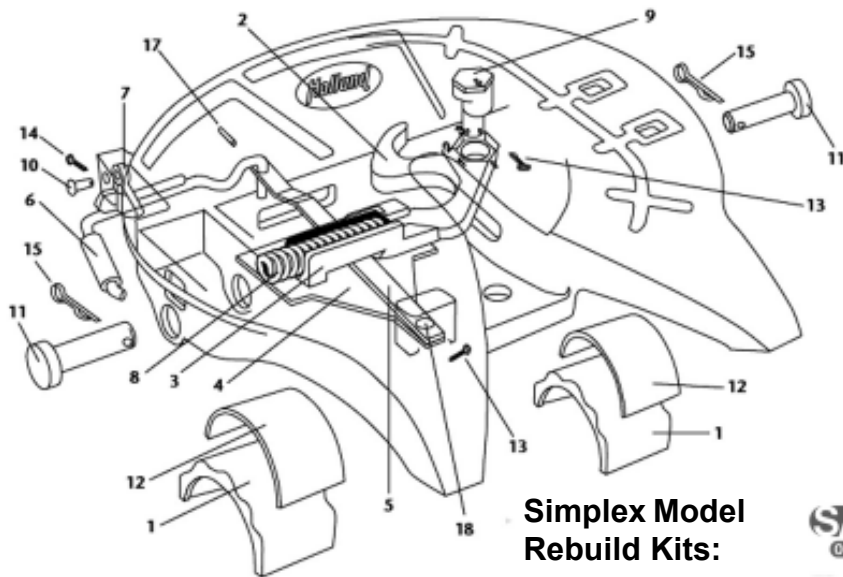
Disassembly	Pull one clinch pin to remove slack adjustment pin and jaw.
--------------------	---

Handle Replacement	Five minutes to replace, while fifth wheel remains on tractor.
---------------------------	--

Warranty	5-years or 500,000 miles
-----------------	--------------------------



HOLLAND-SIMPLEX & SIMPLEX II FIFTH WHEEL PARTS



Simplex Model Rebuild Kits:

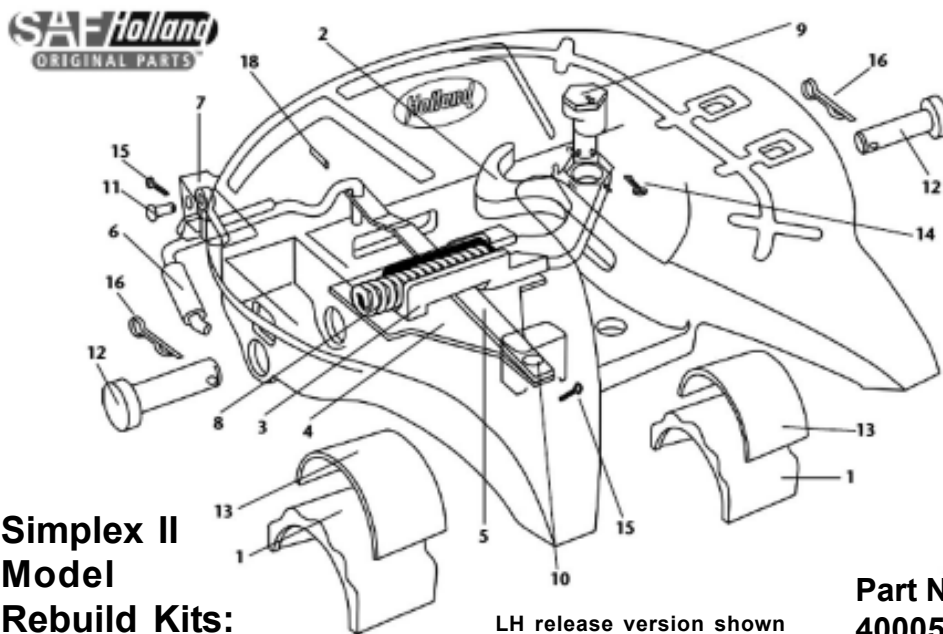
Kit Part No.	Description:	Includes #'s
4000501	Jaw Kit - Standard Eccentric Pin	2,9,13
4000502	Jaw Kit - Oversize Eccentric Pin	2,9,13
4000641	Bracket Connection Kit (.33" pads)	1,11-12,15
4000504	Bracket Connection Kit (.38" pads)	1,11-12,15
4000588	Bracket Connection Kit (.42" pads)	1,11-12,15
4000640	Bracket Connection Kit (.33" pads)	12

Kit Part No.	Description:	Includes #'s
4000528	Bracket Pad Kit (.38" pads)	12
4000587	Bracket Pad Kit (.42" pads)	12
4000570	Lock Kit	3-5,8,13,18
4000531	Operating Rod Kit for TouchLoc	6-7,10,14,17
4000507	Operating Rod Kit	6-7,10,14,17

Single Parts in stock: Otherwise in Kits Only.

#	Part No.	Description
1	4100328	Bracket Shoe
3	4109931	Lock - LH
8	1200706	Lock Spring
9	4109916	Eccentric Pin
10	5400711	Safety Ind. Pin
11	5400705	Bracket Pin
12	4100329	.38 Bracket Pad
15	9900169	Clinch Pin
21	4109977	Oversize Jaw Pin (not shown)

Part No. **4101250**  Simplex Safety Indicator



Simplex II Model Rebuild Kits:

LH release version shown

Kit Part No.	Description:	Includes #'s
4000501	Jaw Kit - Standard Eccentric Pin (LH)	2,9,14
4000503	Jaw Kit - Standard Eccentric Pin (RH)	2,9,14
4000502	Jaw Kit - Oversize Eccentric Pin (LH)	2,9,14
4000523	Jaw Kit - Oversize Eccentric Pin (RH)	2,9,14
4000641	Bracket Connection Kit (.33" pads)	1,12-13,16
4000504	Bracket Connection Kit (.42" pads)	1,12-13,16
4000588	Bracket Connection Kit (.42" pads)	1,12-13,16

Kit Part No.	Description:	Includes #'s
4000640	Bracket Pad Kit (.33" pads)	13
4000528	Bracket Pad Kit (.38" pads)	13
4000587	Bracket Pad Kit (.42" pads)	13
4000572	Lock Kit (LH)	3-5,8,10,15
4000574	Lock Kit (RH)	3-5,8,10,15
4000509	Operating Rod Kit (LH)	6-7,11,15,18
4000512	Operating Rod Kit (RH)	6-7,11,15,18

Single Parts in stock: Otherwise in Kits Only.

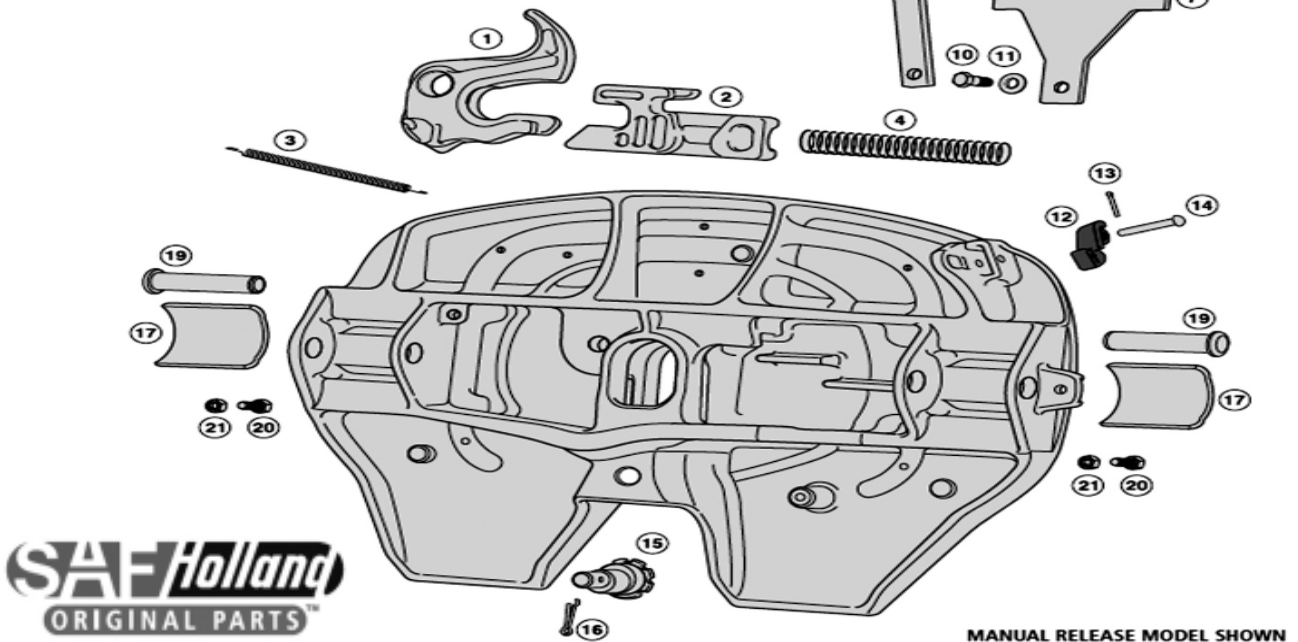
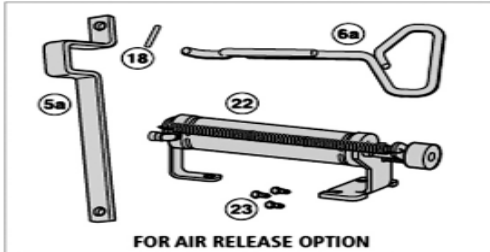
#	Part No.	Description
1	4100328	Bracket Shoe
3	4109931	Lock - LH
8	1200706	Lock Spring
9	4109916	Eccentric Pin
11	5400711	Safety Ind. Pin
12	5400705	Bracket Pin
13	4100329	.38 Bracket Pad
16	9900169	Clinch Pin
19	4109977	Oversize Jaw Pin (not shown)

Part No. **4101250**  Simplex II Safety Latch

Part No. **4000509**  Simplex II - Start Pull Operating Rod



SAF-HOLLAND-FWS1 FIFTH WHEEL PARTS



SAF-Holland
ORIGINAL PARTS™

#	Description	Part No.
1	Jaw	XA-4109939
2	Lock	4109931
3	Jaw Return Spring	1200101
4	Lock Spring	1200706
5	Lever Bar (Manual Pull)	4100373
5a	Lever Bar (Air Release)	XA-11113
6	Handle (Manual Pull)	XA-10990
6a	Handle (Air Release)	XA-11112
7	Cover Plate	XA-10969
8	Cotter Pin 3/16" x 1-1/4"	XB-11091
9	Washer 1/2"	XB-T-49
10	Hex Head Shoulder Bolt	XB-11127
11	Washer 5/8"	XB-T-199
12	Lock Indicator	XD-11121
13	Cotter Pin 1/8" x 1-1/4"	84261
14	Indicator Pin	XB-10996
15	Eccentric Jaw Pin	XA-10971
16	Clinch Pin 3/16" x 1-1/4"	9900170
17	Pocket Insert (Qty 2)	RK-PKT-2
18	Roll Pin 3/16" x 1.15"	9900181
19	Bracket Pin	XE-06356
20	HHCS 1/2" - 20 x 1-1/4"	XB-C-95
21	Locknut 1/2" - 20	XB-T-69-A
22	Air Cylinder	XA-10999
23	HHCS 3/8" - 16 x 1/2"	XB-11027

Rebuild Kits Available:

Part No. Description:

RK-FWS-A-L Complete Rebuild Kit
(Contains all items required to rebuild entire manual release FWS1)

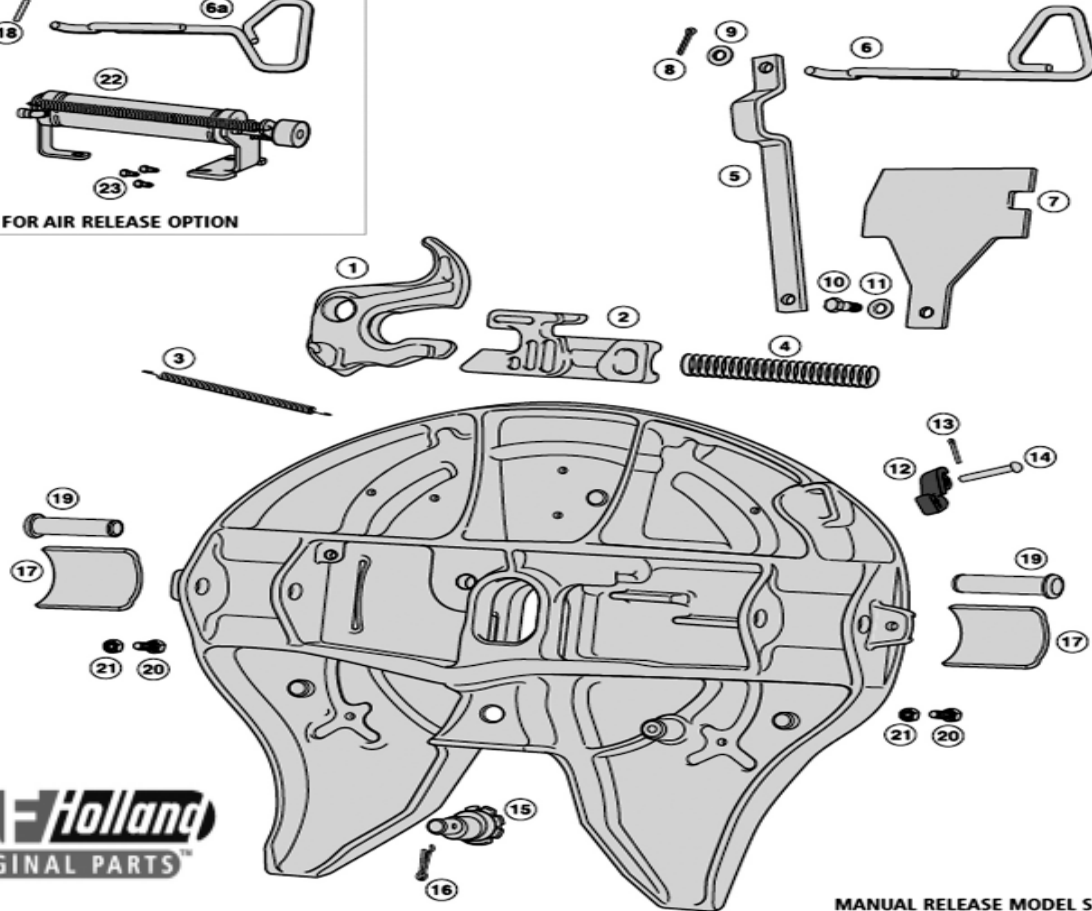
RK-10990 Release Handle Kit
(Includes #'s 6,8,9,12,13,14)

RK-4109939 Jaw Kit
(Includes #'s 1,3,15,16)

RK-10999 Air Cylinder Replacement Kit
(Includes #'s 5a,6a,18,22,23)



SAF-HOLLAND FWS2 FIFTH WHEEL PARTS



MANUAL RELEASE MODEL SHOWN

#	Description	Part No.
1	Jaw	XA-4109939
2	Lock	4109931
3	Jaw Return Spring	1200101
4	Lock Spring	1200706
5	Lever Bar (Manual Pull)	4100373
5a	Lever Bar (Air Release)	XA-11113
6	Handle (Manual Pull)	XA-10990
6a	Handle (Air Release)	XA-11112
7	Cover Plate	XA-10969
8	Cotter Pin 3/16" x 1-1/4"	XB-11091
9	Washer 1/2"	XB-T-49
10	Hex Head Shoulder Bolt	XB-11127
11	Washer 5/8"	XB-T-199
12	Lock Indicator	XD-11121
13	Cotter Pin 1/8" x 1-1/4"	84261
14	Indicator Pin	XB-10996
15	Eccentric Jaw Pin	XA-10971
16	Clinch Pin 3/16" x 1-1/4"	9900170
17	Pocket Insert (Qty 2)	RK-PKT-2
18	Roll Pin 3/16" x 1.15"	9900181
19	Bracket Pin	XE-06356
20	HHCS 1/2" - 20 x 1-1/4"	XB-C-95
21	Locknut 1/2" - 20	XB-T-69-A
22	Air Cylinder	XA-10999
23	HHCS 3/8" - 16 x 1/2"	XB-11027

Rebuild Kits Available:

Part No. Description:

RK-FWS-A-L Complete Rebuild Kit
 (Contains all items required to rebuild
 entire manual release FWS2)

RK-10990 Release Handle Kit
 (Includes #'s 6,8,9,12,13,14)

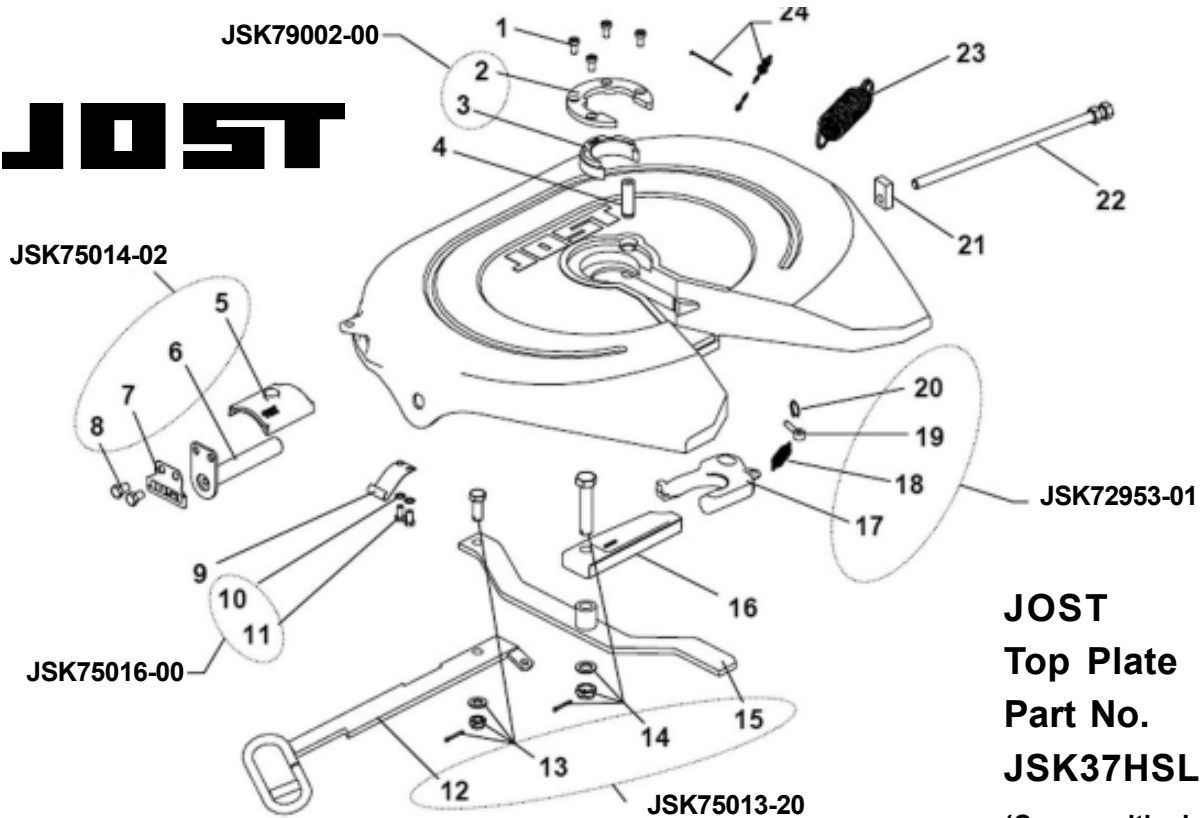
RK-4109939 Jaw Kit
 (Includes #'s 1,3,15,16)

RK-10999 Air Cylinder Replacement Kit
 (Includes #'s 5a,6a,18,22,23)



JOST FIFTH WHEEL TOP PLATES AND PARTS - JSK37HSL

JOST



**JOST
Top Plate
Part No.
JSK37HSL**

(Comes with pins,
less bushings.)

**Repair
Parts
Listing**

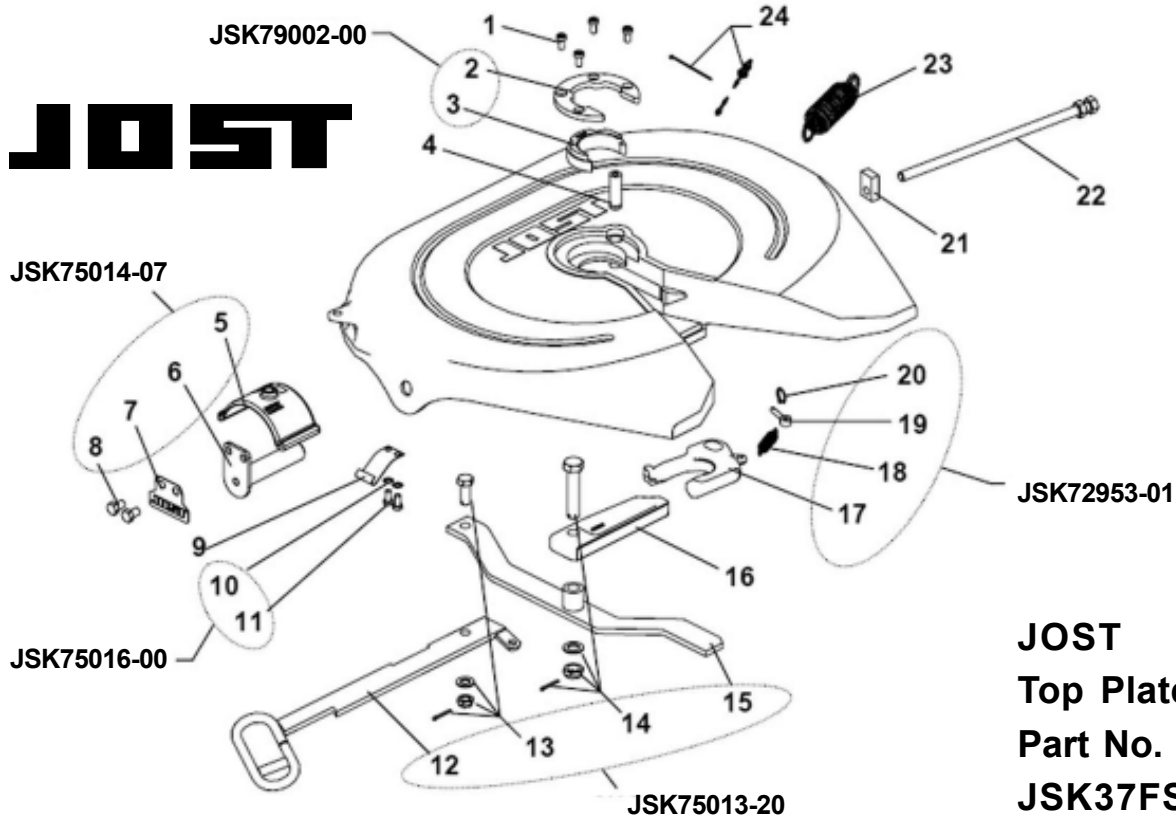
**Minor Rebuild
kit for Cushion
and Lock Jaw**

**L.H. only =
Part No.
JSK73221-50Z
(Includes #'s
1-4,17-20 & 24)**

#	Part No.	Description
1	JSK 73121-55	Cushion ring bolt
2	JSK 3105-93	Retainer
3	JSK 3105-92	Cushion ring insert
4	JSK 72106-67	Lock jaw pivot pin
5	JSK 73105-95	Collar
6	JSK 73104-05	Bracket pin
7	JSK 73104-47	Tab washer
8	JSK 7121-28B	Hex bolt
9	JSK 70993-00	Plate spring
10	JSK 70301-00	External tooth lock washer
11	JSK 73121-28B	Hex bolt
12	JSK 73105-15	LH Release handle
13	JSK 71513	Pivot bolt assembly
14	JSK 73221-01	Locking bar bolt assembly
15	JSK 3105-140	LH Lever with bushing
16	JSK 3205-06	Locking bar
17	JSK 1489LZ	LH Lock jaw
18	JSK 847	Lock jaw spring
19	JSK 2106-69	Eye bolt
20	JSK 2106-70	Ring
21	JSK 73205-07	Guide piece
22	JSK 3105-151	Adjusting screw with hex nut
23	JSK 3105-20	Double tension spring
24	JSK 3108-02	Lubricating kit



JOST FIFTH WHEEL TOP PLATES AND PARTS - JSK37FSL



JOST
Top Plate
Part No.
JSK37FSL

(Comes with pins,
 less bushings.)

Repair
Parts
Listing

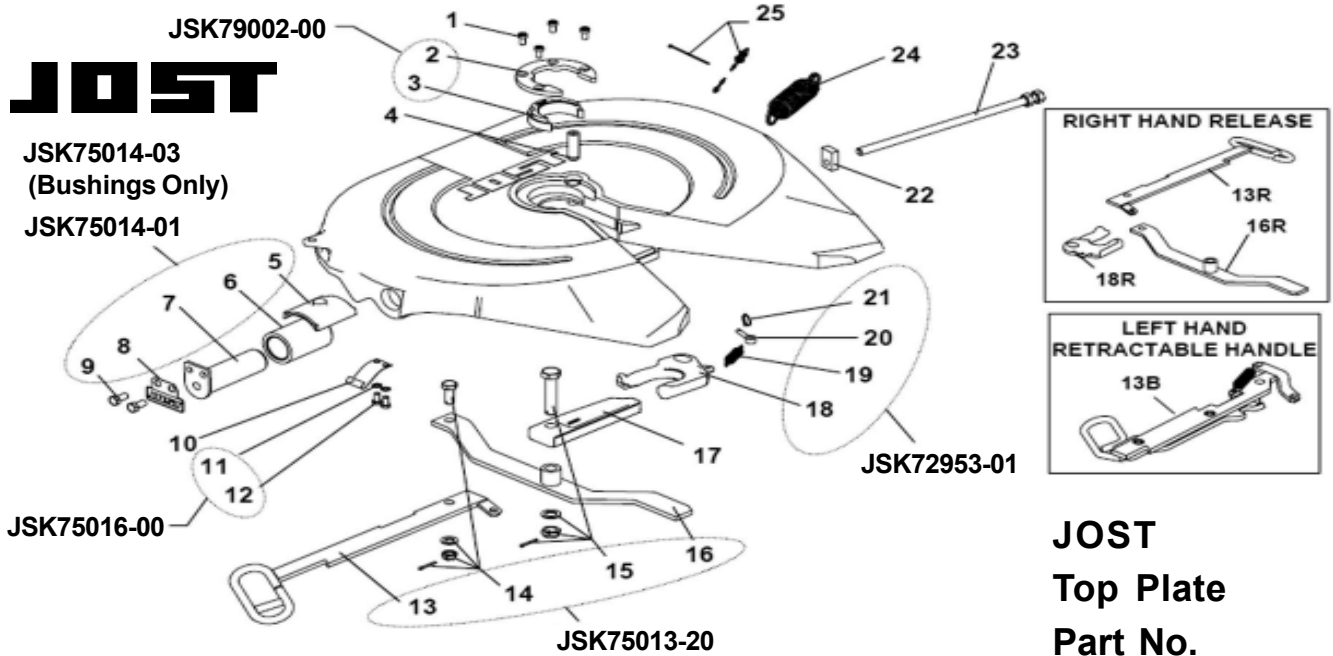
Minor Rebuild
kit for Cushion
and Lock Jaw

L.H. only =
Part No.
JSK73221-50Z
(Includes #'s
1-4,17-20 & 24)

#	Part No.	Description
1	JSK 73121-55	Cushion ring bolt
2	JSK 3105-93	Retainer
3	JSK 3105-92	Cushion ring insert
4	JSK 72106-67	Lock jaw pivot pin
5	JSK 79048-02	Collar
6	JSK 79011-12	Bracket pin
7	JSK 73104-47	Tab washer
8	JSK 70202-15	1/2-13 X 3/4 Hex bolt
9	JSK 70993-00	Plate spring
10	JSK 70301-00	External tooth lock washer
11	JSK 73121-28B	3/8-16 Hex bolt
12	JSK 73105-15	LH Release handle
13	JSK 71513	Pivot bolt assembly
14	JSK 73221-01	Locking bar bolt assembly
15	JSK 3105-140	LH Lever with bushing
16	JSK 3205-06	Locking bar
17	JSK 1489LZ	LH Lock jaw
18	JSK 847	Lock jaw spring
19	JSK 2106-69	Eye bolt
20	JSK 2106-70	Ring
21	JSK 73205-07	Guide piece
22	JSK 79010-07	Adjusting screw with hex nut
23	JSK 3105-20	Double tension spring
24	JSK 3108-02	Lubricating kit



JOST FIFTH WHEEL TOP PLATES AND PARTS - JSK37USL



#	Part No.	Description
1	JSK 73121-55	Cushion ring bolt
2	JSK 3105-93	Retainer
3	JSK 3105-92	Cushion ring insert
4	JSK 72106-67	Lock jaw pivot pin
5	JSK 3105-95	Collar
6	JSK 2905-94	Bushing
7	JSK 79011-03	Bracket pin
8	JSK 73104-47	Tab washer
9	JSK 70202-15	1/2-13 x 3/4 lg. Hex bolt
10	JSK 70993-00	Plate spring
11	JSK 70301-00	External tooth lock washer
12	JSK 73121-28B	Hex bolt
13	JSK 73105-15	LH Release handle
13B	JSK 75016-04	Retractable Handle
13R	JSK 79009-27	RH Release handle
14	JSK 71513	Pivot bolt assembly
15	JSK 73221-01	Locking bar bolt assembly
16	JSK 3105-140	LH Lever with bushing
16R	JSK 3105-18	RH Lever with bushing
17	JSK 3205-06	Locking bar
18	JSK 1489LZ	LH Lock jaw
18R	JSK 1489Z	RH Lock jaw
19	JSK 847	Lock jaw spring
20	JSK 2106-69	Eye bolt
21	JSK 2106-70	Ring
22	JSK 73205-07	Guide piece
23	JSK 3105-151	Adjusting screw with hex nut
24	JSK 3105-20	Double tension spring
25	JSK 3108-02	Lubricating kit

**JOST
Top Plate
Part No.
JSK37USL**

(Comes less pins,
less bushings.)

**Repair
Parts
Listing**

**Minor Rebuild
kit for Cushion
and Lock Jaw
L.H. only =
Part No.
JSK73221-50Z
(Includes #'s
1-4,17-20 & 24)**

**Major Kit is
Part No.
JSK75013-00
and includes
#'s 1-25 with
instructions.**



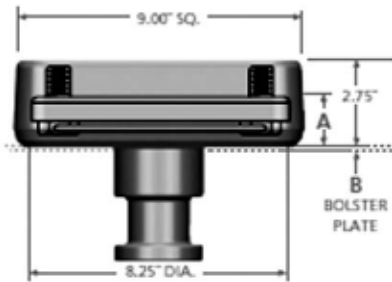
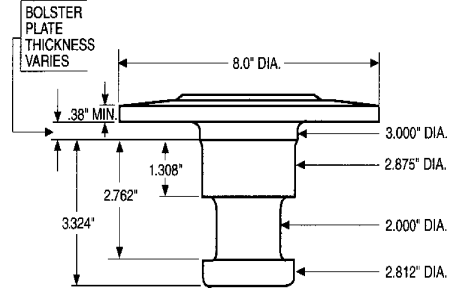
TRAILER KING PINS



Part No.	Bolster Plate Thickness
1135919	5/16"
1135920	1/4"
1135921	3/8"
1135922	1/2"

- MATERIAL – AISI 8630H
- HEAT TREATMENT Surface hardness = 302-363 BHN.
- STRENGTH At the above hardness the material will have an approximate 150,000 p.s.i. ultimate strength and 115,000 p.s.i. yield strength.
- QUALITY ASSURANCE
Rigid metallurgical cleanliness and quality standards including:
100% Brinell Hardness testing.
100% magnetic particle inspection.
100% ultrasonic testing (MS105, tightened C = 0).

Part Number	Bolster Plate Thickness
KP-T-809-CF	1/4"
KP-T-809-F	3/8"



**Bolt On Replaceable
2" Style Kingpins
Part No. KP-0882**

2" Diameter, 302-363 Brinell Hardness,
38" Upper Coupler, 1.44" Counter Bore



"Maltese Cross" Kingpin

For 1/4" and 5/16" Bolster Plate
2" Kingpin With Housing
Part No. 1135924

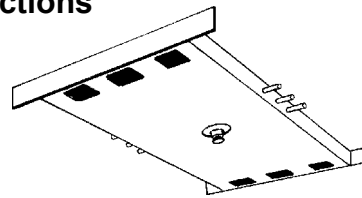


Replacement Aft Trailer King Pin Sections

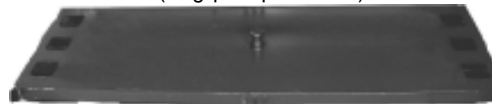
**For Use on Dry Van Trailers Only

Complete with weld-on
kingpin installed.

Welding procedures and
materials used comply with
accepted OEM standards.



(king pin up for view)



For 96" Wide trailer
95 1/4" Wide

30 1/2" Fore & Aft Length
Part No. 1147900

Conduit locations centered at
47 5/8" and 2 1/4" on both sides.

For 102" Wide Trailer
101 1/4" Wide

30 1/2" For & Aft Length
Part No. 1147904

Conduit locations centered at
50 5/8" and 2 1/4" on both sides.

High Density Polyethylene Disc

Eliminates the problem of a dry fifth wheel
plate. Installs on trailer plate around kingpin
using steel retainer ring.

Complete Assembly

Part No. 1010501

Retainer Ring Only

Part No. 1010500



KING PIN LOCK

Rolled steel construction.
A good, economical method
of securing trailers.

Lock cylinder includes 2 keys.
(6 kingpin locks per box.)

Part No. 1190374-100 (Key # 100)

Part No. 1190374-101 (Key # 101)



SAF-HOLLAND PINTLE HOOKS



FastLatch™ is now standard on these models:



PH-30RP41



PH-210/410



PH-775SL11

Introducing **FastLatch™** - featuring Holland's revolutionary one-handed latch operation with automatic secondary lock.

Eliminating the need for cotter pins and chains, the **FastLatch™** is the quickest and simplest latch in the industry.



- SAF-Holland's improved pintle hooks are:
- Lighter weight
 - More durable
 - Stronger
 - Safer and easier to operate
 - Lubrication free with NoLube™ technology

Rigid Type Pintle Hook Part No. PH-10RP51



Capacity Pintle Hook:
Maximum Vertical Load:
2,000 lbs.
Max Gross Trailer Weight:
10,000 lbs.

Drawbar Eye Dimensions:
2.38" to 3.00" I.D.
with 1.25" to 1.63"
Diameter Section

Rigid Type Pintle Hook Part No. PH-30RP51



Capacity Pintle Hook:
Maximum Vertical Load:
6,000 lbs.
Max Gross Trailer Weight:
30,000 lbs.

Drawbar Eye Dimensions:
2.38" to 3.00" I.D.
with 1.25" to 1.63"
Diameter Section

Swivel type pintle hook with spring cushion. Swivel action provides some torsional relief and spring cushion provides some shock absorption at the coupling.

Part No. PH-30SA41

Capacity Pintle Hook:
Maximum Vertical Load:
6,000 lbs.
Max Gross Trailer Weight:
30,000 lbs.

Drawbar Eye Dimensions:
2.38" to 3.00" I.D. with
1.25" to 1.63" Diameter Section

Note: In configurations where the Maximum Vertical Load does not exceed 4,000 lb. the Maximum Gross Trailer Weight is 40,000 lbs.



Swivel type pintle hook with spring cushion. Swivel action provides some torsional relief and spring cushion provides some shock absorption at the coupling.

Part No. PH-30SB51

Capacity Pintle Hook:
Maximum Vertical Load:
6,000 lbs.
Max Gross Trailer Weight:
30,000 lbs.

Drawbar Eye Dimensions:
2.38" to 3.00" I.D. with
1.25" to 1.63" Diameter Section

Note: In configurations where the Maximum Vertical Load does not exceed 4,000 lb. the Maximum Gross Trailer Weight is 40,000 lbs.



Rigid Type Pintle Hook With Air Operated Plunger Part No. PH-210RA11

Part No. PH-210RN11 (w/o plunger)

Capacity Pintle Hook:
Maximum Vertical Load:
18,000 lbs.
Max Gross Trailer Weight:
90,000 lbs.

Drawbar Eye Dimensions:
2.38" to 3.00" I.D.
with 1.25" to 1.63"
Diameter Section



Rigid Type Pintle Hook With Air Operated Plunger Part No. PH-410RA11

(PH-400 available) Part No. PH-410RN11 (w/o plunger) (PH-400-1 available)

Capacity Pintle Hook:
Maximum Vertical Load:
20,000 lbs.
Max Gross Trailer Weight:
100,000 lbs.

Drawbar Eye Dimensions:
2.38" to 3.00" I.D.
with 1.25" to 1.63"
Diameter Section





PINTLE HOOKS CONTINUED, DRAWBARS

Swivel Type Pintle Hook - Part No. PH-760

Capacity:
 Maximum Vertical Load: 9,800 lbs.
 Max Gross Trailer Weight: 49,000 lbs.
Drawbar Eye
Dimensions:
 3.00" I.D. with 1.62" Diameter Section



Swivel Type Pintle Hook - Part No. PH-775-01552

Capacity:
 Maximum Vertical Load: 20,000 lbs.
 Max Gross Trailer Weight: 100,000 lbs.
Drawbar Eye
Dimensions:
 3.00" I.D. with 1.63" Diameter Section



Swivel Type Pintle Hook With Rubber Cushion and "Fish Mouth" Type Head, with replacement wear inserts.

Part No. PH-990ST71

Capacity:
 Maximum Vertical Load: 3,000 lbs.
 Max Gross Trailer Weight: 100,000 lbs.

Drawbar Eye

Dimensions:
 3.00" I.D. 1.63" Diameter Section
 Pin Part No. XA-102817
 Safety Pin Part No. XB-04317



Forged steel bolt-on drawbar with induction hardened wear area.

3 eye with 1.63 diameter section.

Part No. DB-1238

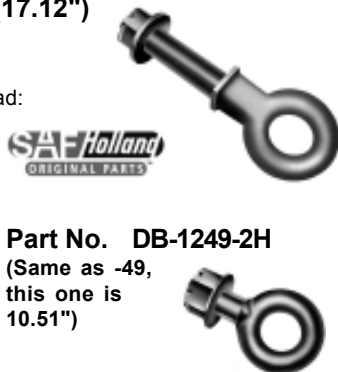
Capacity:
 Maximum Vertical (Tongue) Load: 4,500 lbs.
 Max Gross Trailer Weight: 22,000 lbs.
 NOTE: When used hinged tongue trailer applications where maximum vertical load cannot exceed 500 lbs., the maximum gross trailer weight is 70,000 lbs.



3" I.D. eye forged steel drawbar with induction hardened wear area. 1.63" diameter section, 2" O.D. shank with nut, washer, and cotter pin. (17.12")

Part No. DB-1249-49

Capacity:
 Maximum Vertical (Tongue) Load: 9,000 lbs.
 Max Gross Trailer Weight: 45,000 lbs.
 NOTE: When used hinged tongue trailer applications where maximum vertical load cannot exceed 500 lbs., the maximum gross trailer weight is 85,000 lbs.



Part No. DB-1249-2H
 (Same as -49, this one is 10.51")

2.5" I.D. eye forged steel drawbar with 1.5" x 1.25" dual section, 1.5" O.D. shank with washer, nut, and cotter pin.

Part No. DB-1250-3

Capacity:
 Maximum Vertical (Tongue) Load: 3,000 lbs.
 Max Gross Trailer Weight: 15,000 lbs.
 NOTE: When used hinged tongue trailer applications where maximum vertical load cannot exceed 500 lbs., the maximum gross trailer weight is 50,000 lbs.



Weld-on Drawbar with 2.38" I.D. eye with 1.62" x 1.69" diameter section. Use with channel, square, or rectangle tube mounting configuration.

18,000 lb Max Vertical (Tongue) Capacity.
 90,000 lb max load gross trailer weight.

Part No. DB-1400

Note: When used for hinged tongue trailer applications where maximum vertical load cannot exceed 500 lbs., the maximum gross trailer weight is 120,000 lbs.



3" I.D. eye forged steel swivel drawbar with induction hardened wear area.

1.63" diameter section.

Part No. DB-610-30

Capacity:
 Maximum Vertical (Tongue) Load: 9,000 lbs.
 Max Gross Trailer Weight: 45,000 lbs.
 NOTE: When used hinged tongue trailer applications where maximum vertical load cannot exceed 500 lbs., the maximum gross trailer weight is 85,000 lbs.





DRAWBARS, TOW HOOKS

**Forged steel Drawbar with 4 Bolt Mounting Base
2.5" I. D. Eye With 1.25" x 1.5" Oval Diameter Section
Part No. DB-040DQ1**

Capacity:
Maximum Vertical
(Tongue) Load: 8,000 lbs.
Max Gross
Trailer Weight: 40,000 lbs.

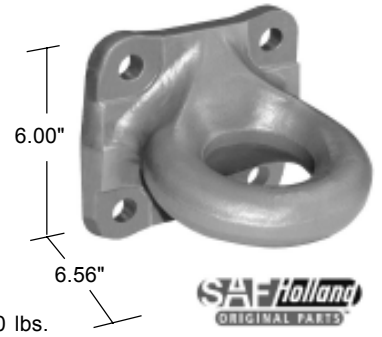
NOTE: When used in hinged tongue trailer applications where maximum vertical load cannot exceed 500 lbs., the maximum gross trailer weight is 60,000 lbs.



**Forged steel Drawbar with 4 Bolt Mounting Base
3" I. D. Eye With 1.63" Diameter Section
Part No. DB-060FQ1**

Capacity:
Maximum Vertical
(Tongue) Load: 15,000 lbs.
Max Gross
Trailer Weight: 60,000 lbs.

NOTE: When used in hinged tongue trailer applications where maximum vertical load cannot exceed 500 lbs., the maximum gross trailer weight is 90,000 lbs.



**Right or Left hand Tow Hook With 2" Opening
Part No. TH-10050-3L**

Part No. TH-10050-3R

26,000 lbs.
Maximum Drawbar Pull

For use in pairs for a tow cable or chain attachment in emergency towing.

Capacity:
33,000 lbs. (15422 kg)
for Cantilevered mount.

45,000 lbs. (20411 kg)
for Full Face mount.

Weight: 4.63 lbs. each (2.1 kg)



Rigid type pintle hook with 2" ball hitch

2.38" to 3" I.D. with
1.25" to 1.63"
diameter section
with 2" SAE J684
ball hitch coupler.

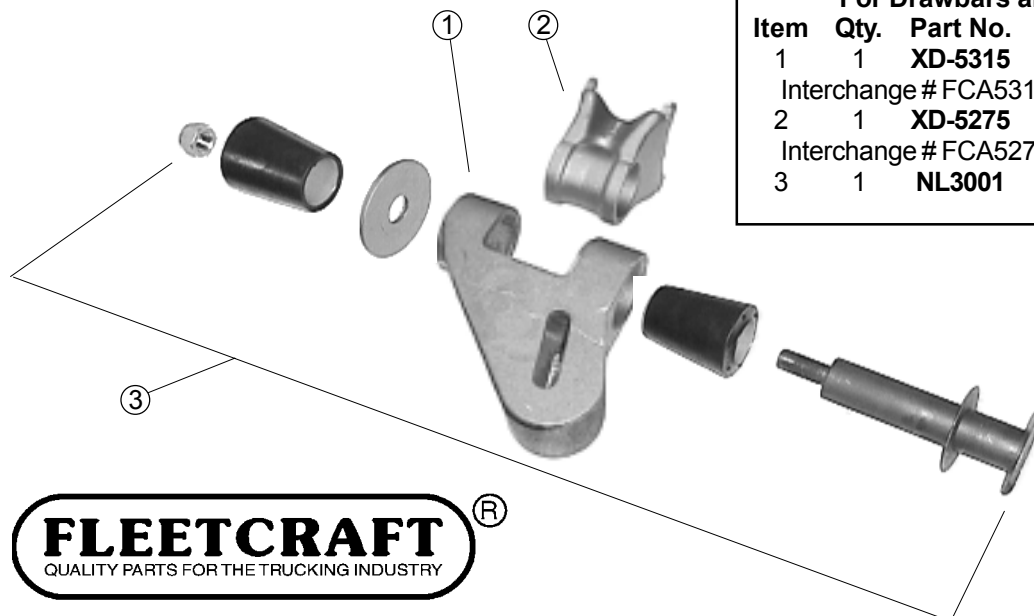
Capacity:
Pintle Hook:
4,000 lb Max Vertical Capacity.
20,000 lb max gross trailer weight.

2" Ball Hitch:
10,000 lb max gross trailer weight
Meets SAE J684 Class 4 Standards
in a 2" Ball

Part No. BH-200RN51



DRAWBAR HINGE KIT



Drawbar Hinge Parts For Drawbars and Dolly Bracket			
Item	Qty.	Part No.	Description
1	1	XD-5315	Draw Bar Hinge Interchange # FCA5315 (Fruehauf)
2	1	XD-5275	Draw Bar Bracket Interchange # FCA5275 (Fruehauf)
3	1	NL3001	Equalizer Bushing Kit Less Item No.'s 1 & 2.

